

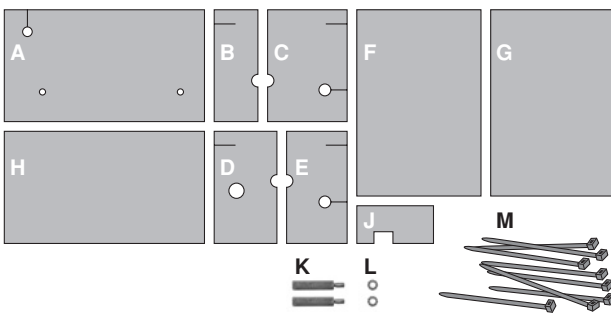
INTRODUCTION

This kit includes all necessary parts and instructions for building the noise insulation on and around your branch selector box.

CONVENTION

Further in this instruction "branch selector box" will consistently be referred to as BSB and "branch selector box switch box" will be referred to as SB.

CONTENT OF THE KIT




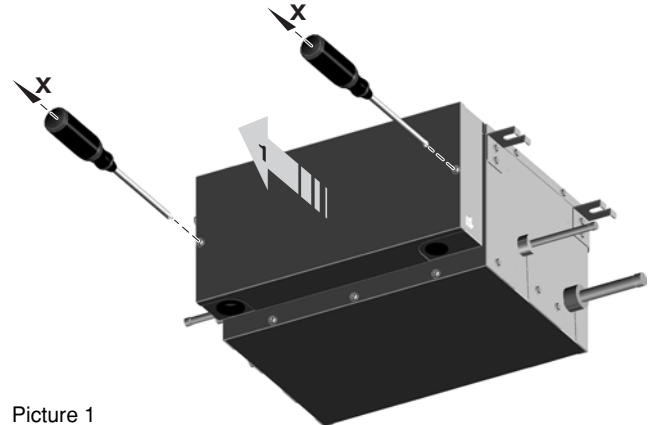
- A** Insulation to stick in between the BSB and the SB
- B** Left hand side insulation to stick on the 2-pipe side of the BSB
- C** Right hand side insulation to stick on the 2-pipe side of the BSB
- D** Left hand side insulation to stick on the 3-pipe side of the BSB
- E** Right hand side insulation to stick on the 3-pipe side of the BSB
- F** Insulation to stick on the top plate of the BSB
- G** Insulation to stick on the bottom plate of the BSB
- H** Insulation to stick on the rear plate of the BSB
- J** Smaller insulation to stick on the back of the SB
- K** 2 x Spacer for distancing SB away from the BSB
- L** 2 x Lock washer to secure the spacers
- M** 8 x Tie-wrap to make 2 straps for securing the insulations

NECESSARY TOOLS FOR PROCESSING



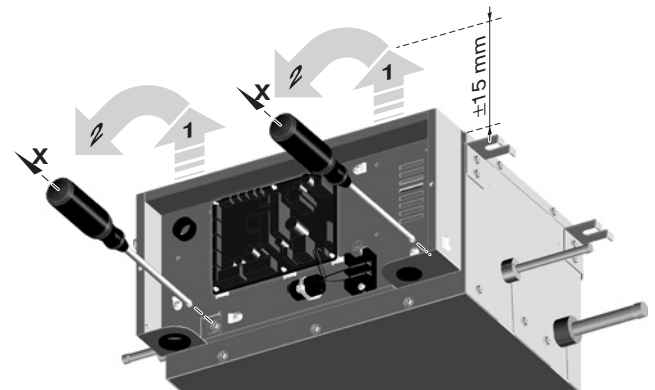
INSTALLATION PROCEDURE

- 1**  Make sure to switch off power supply to the complete system before starting this procedure. Installation of the kit must be executed by a licensed refrigeration technician.
- 2** Remove the SB service cover (1) by unscrewing the 2 screws (XX) as indicated in **picture 1**. Keep the 2 screws for later re-installation.



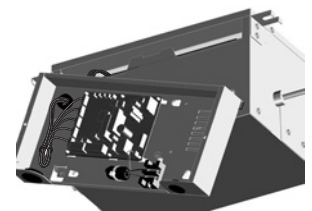
Picture 1

- 3** Refer to **picture 2** for visualizing how to first unscrew the 2 screws (XX) fixing the SB to the BSB. Lift the SB vertically upward for about 15 mm (1) until you can unhook it away from the BSB (2).



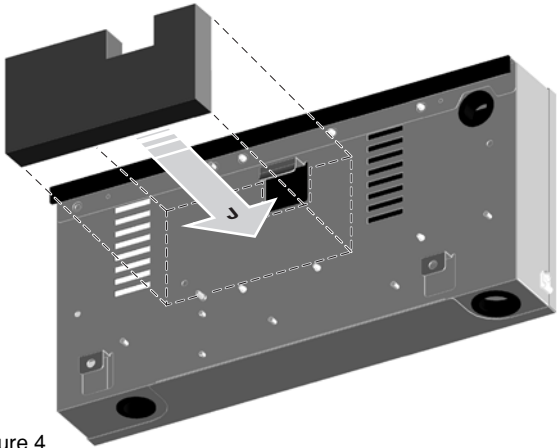
Picture 2

Let the SB hang with great care as indicated in **picture 3**. Better solution of course is in case cables power supply, wiring to indoor and outdoor units, and cool/heat selector are long enough and you have the service space, is to put the SB as indicated in **picture 5** on top of the BSB top plate. Keep the 2 screws for later re-installation.



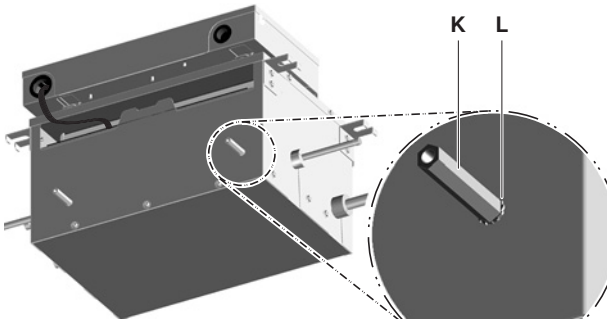
Picture 3

- 4 Stick the smaller insulation (part J) in the exact position on the back of the SB as indicated in **picture 4**. Be sure not to stick part J over the ventilation holes.



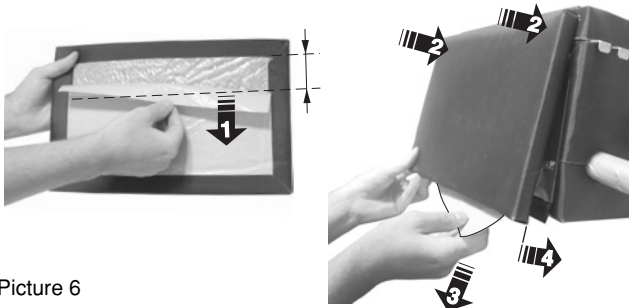
Picture 4

- 5 Firmly fix the 2 supplied spacers (part K) into the holes that secured the SB to the BSB. Do not forget to put the supplied lock washers (part L) in between the spacers and the BSB. Refer to **picture 5**.



Picture 5

- 6 For comfortably sticking larger parts of insulation on the BSB it is advised to first partially peel the protective cover off the adhesive, to position the insulation in the correct place and only then to peel the complete protective cover off. Refer to **picture 6**.

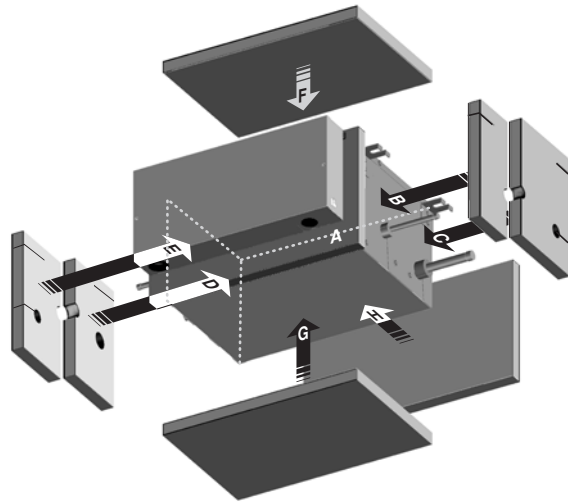


Picture 6

- 7 Stick insulation part A on the BSB plate in which you screwed spacers before. All necessary holes are foreseen in the insulation parts.
- 8 Install the SB back in place by fixing it with 2 recuperated screws on the spacers through the rear plate of the SB.
- 9 Install the SB service cover back in place by fixing it with 2 recuperated screws.

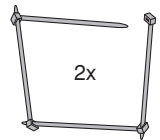
- 10 Refer to **picture 7** for instructions on where to stick the remaining insulation parts (part B~H).

First stick insulation parts B-C-D+E (on the 2-pipe and 3-pipe sides of the BSB). These parts are designed to let you easily fit the remaining top-, bottom- and rear insulations consecutively (parts F-G-H) on correct positions afterwards.



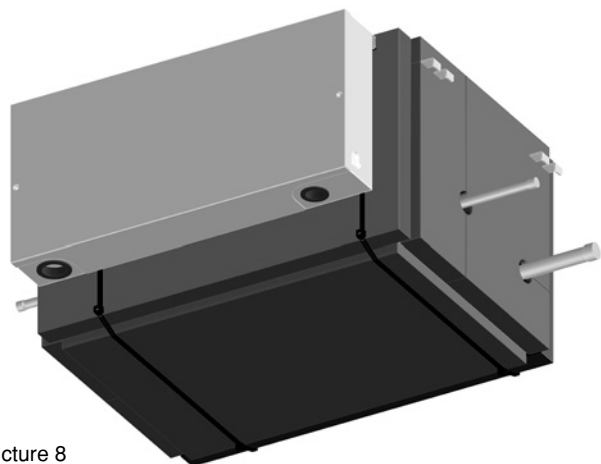
Picture 7

- 11 For securing position of noise insulation throughout the rest of the installation lifetime, you need to strap the adhered insulation. Proceed by connecting 2 times 4 supplied tie-wraps (part M) (4 tie-wraps = 1 strap) to each other but keep one end open:



- put the 2 straps over top of the BSB;
- both straps must be positioned next to the spacers (outside);
- close the straps and tear them until they are fixed tight;
- cut off all 8 superfluous ends.

If the result looks like **picture 8**, you are successful.



Picture 8

- 12 This procedure is not finished until you remove all used tooling and scraps from the ceiling. Eventually, close the ceiling panel and power the complete system up again.