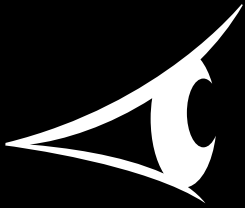




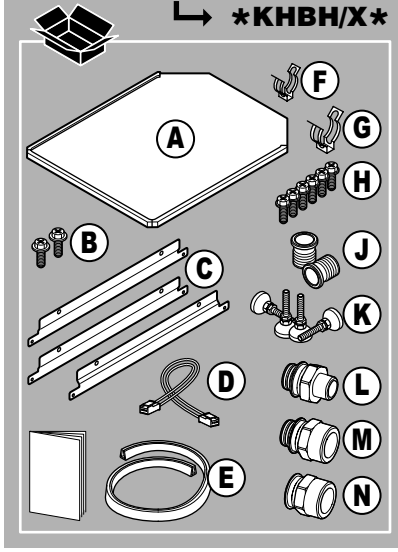
INSTALLATION MANUAL



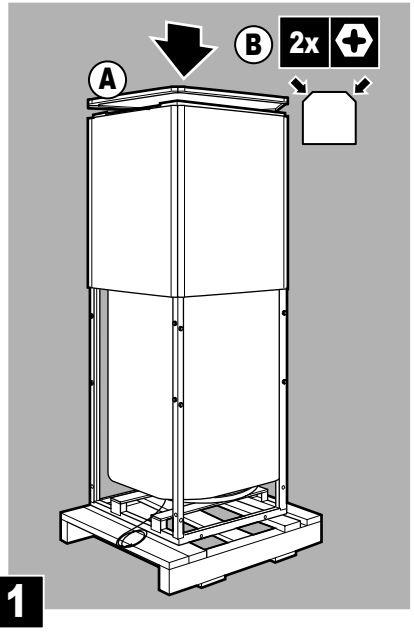
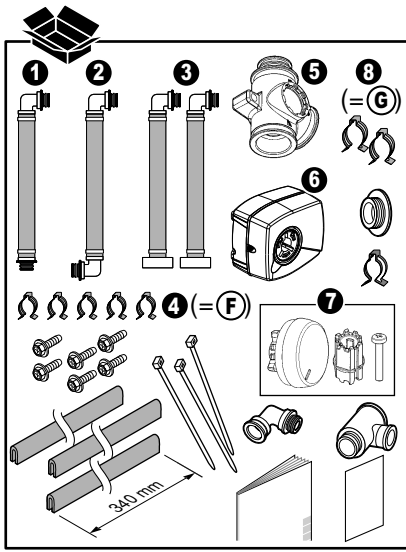
**Connection kit for
floor mounted tank**

EKFMALTA

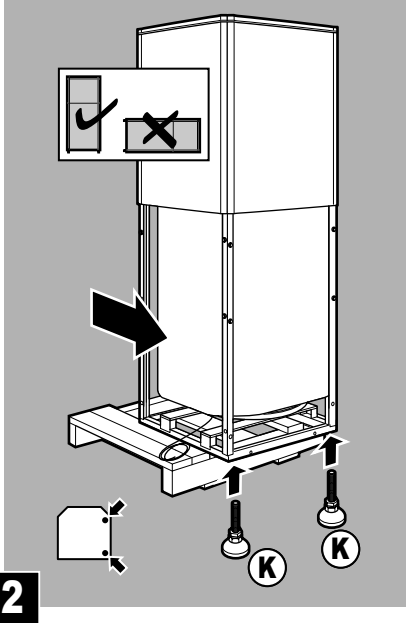
↳ *KHBH/X*



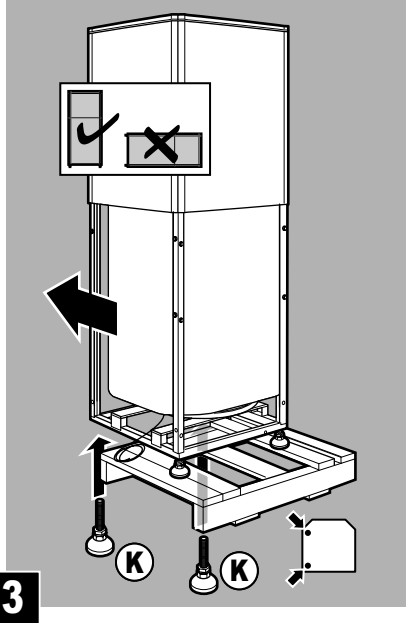
+ *KHTS*



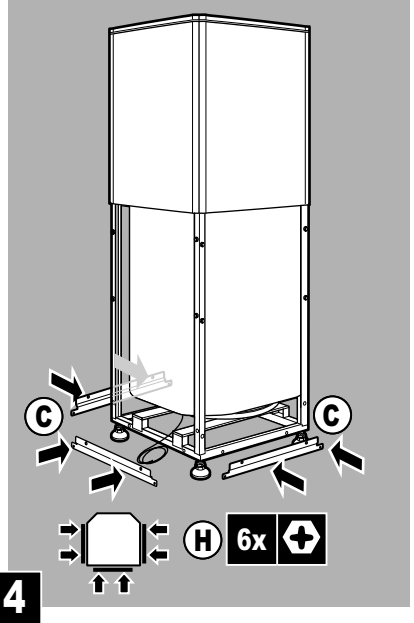
1



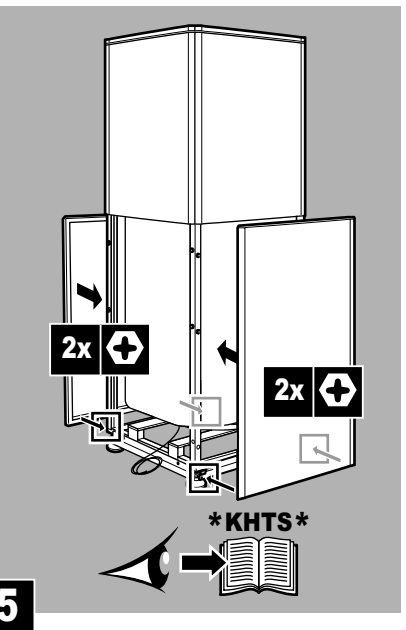
2



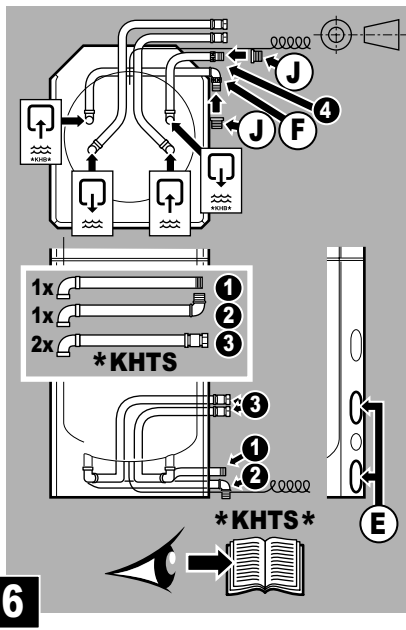
3



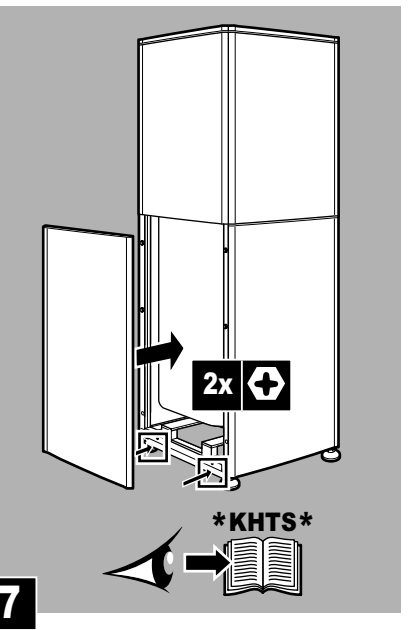
4



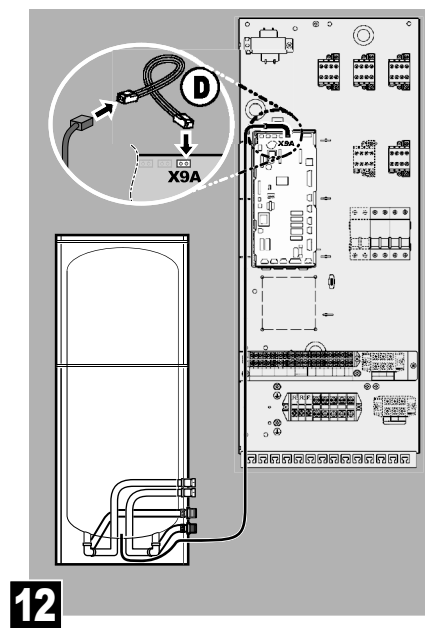
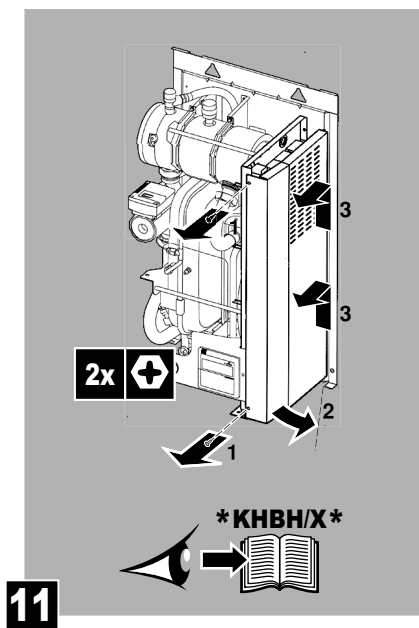
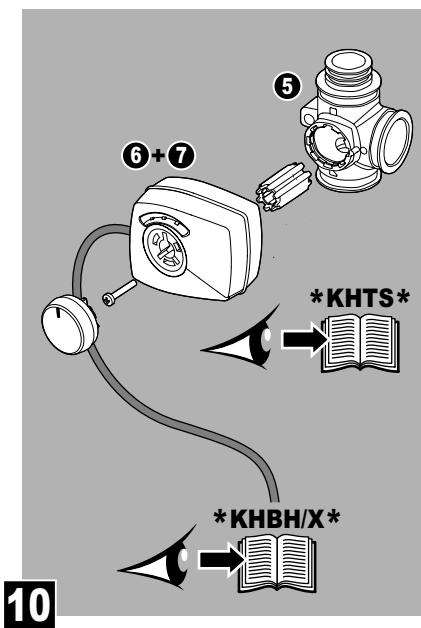
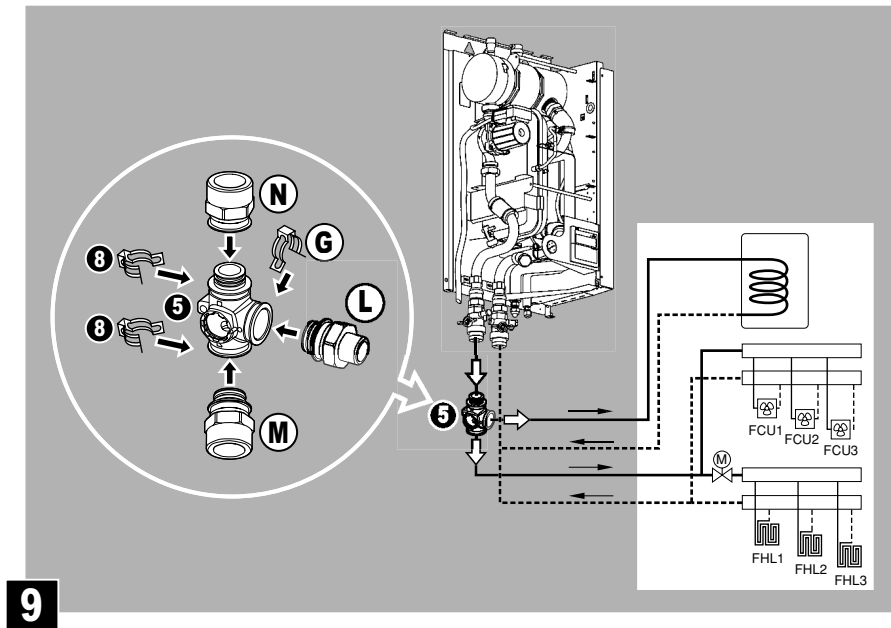
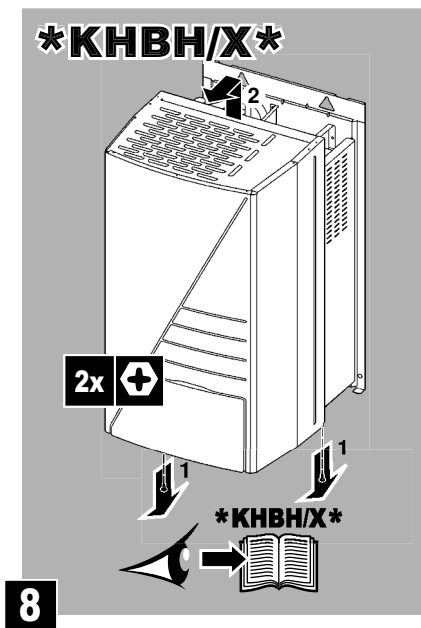
5



6

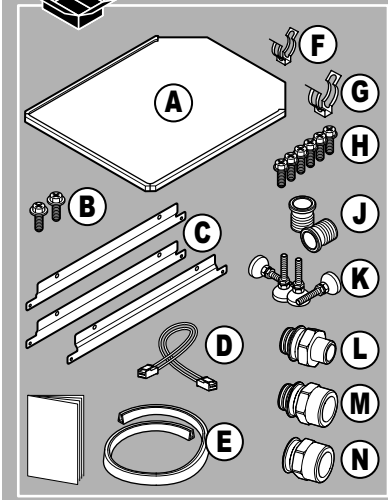


7

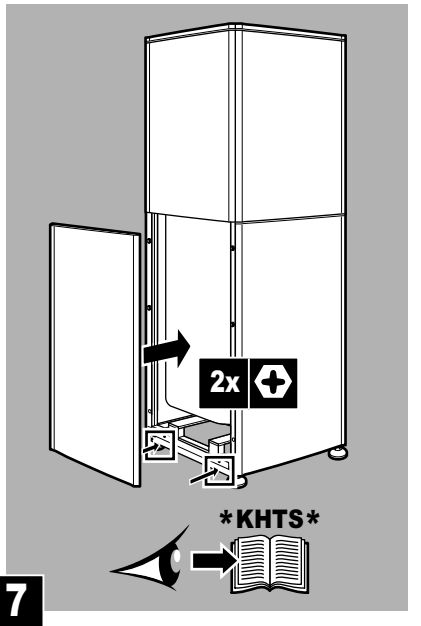
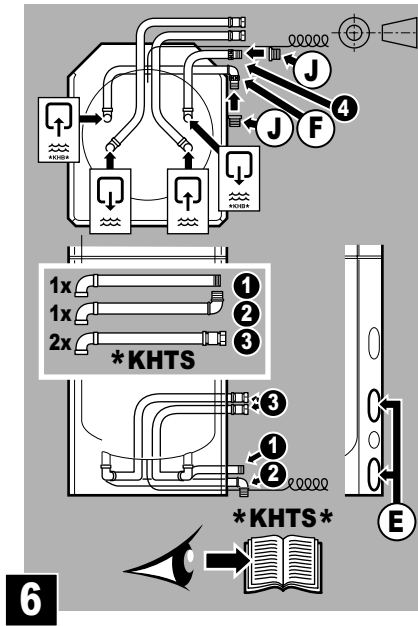
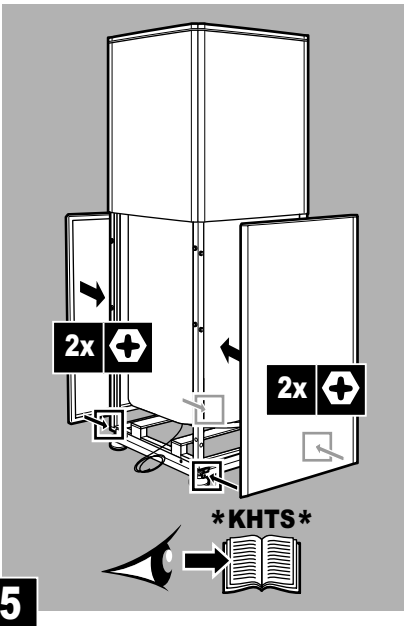
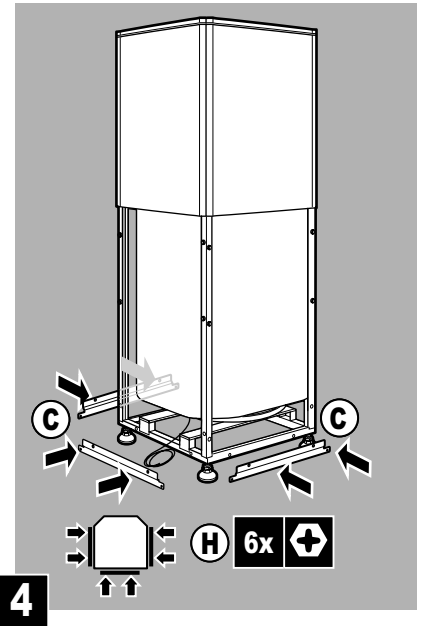
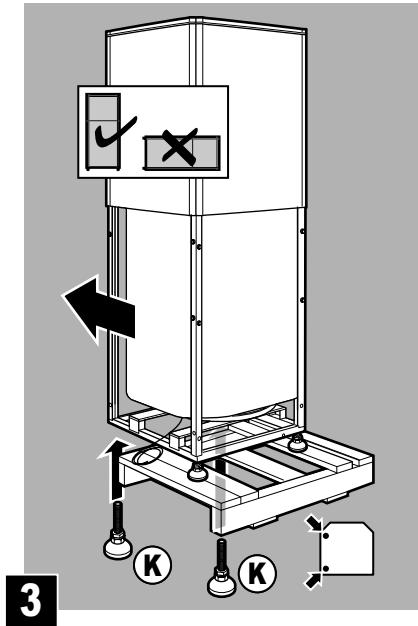
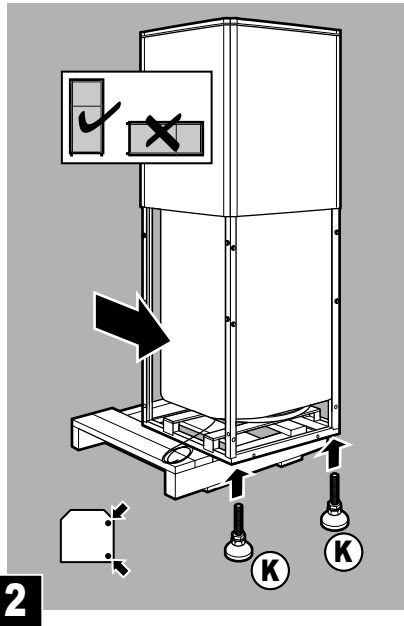
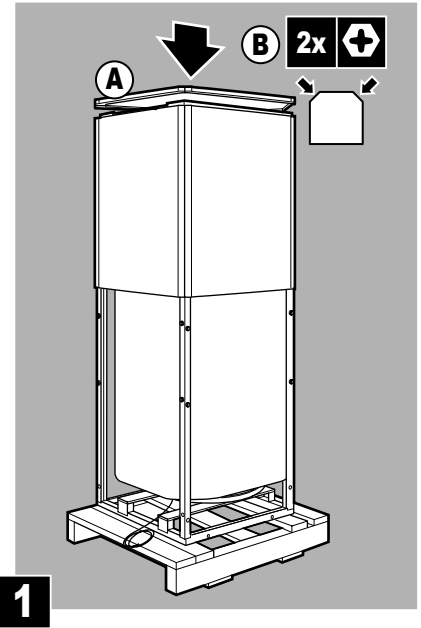
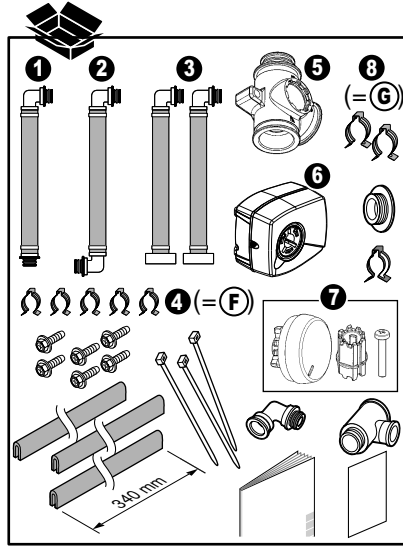


EKFMALTA

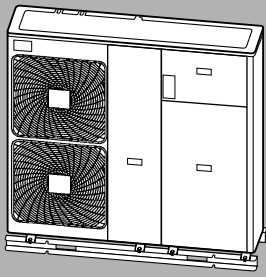
↳ *(D/B)(H/L)Q*



+ *KHTS*



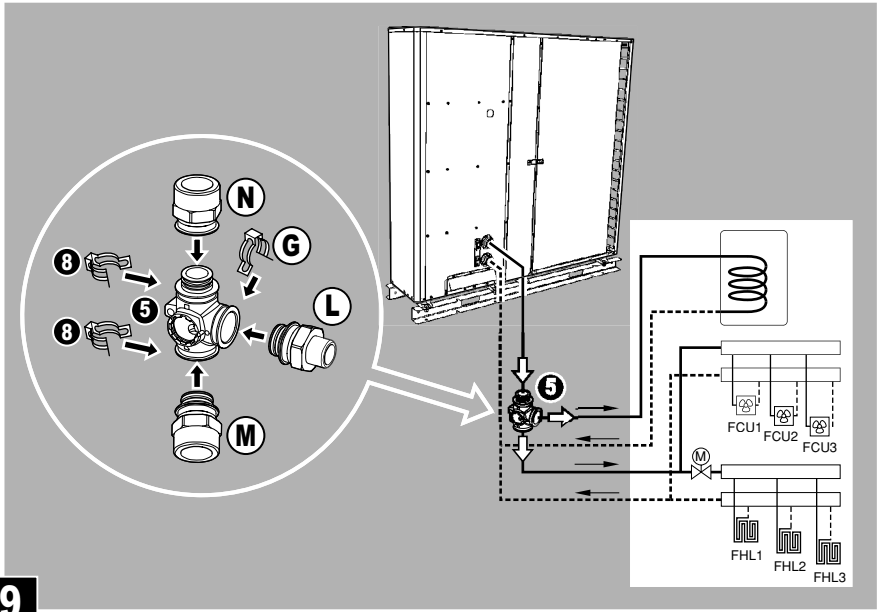
(D/B)(H/L)Q



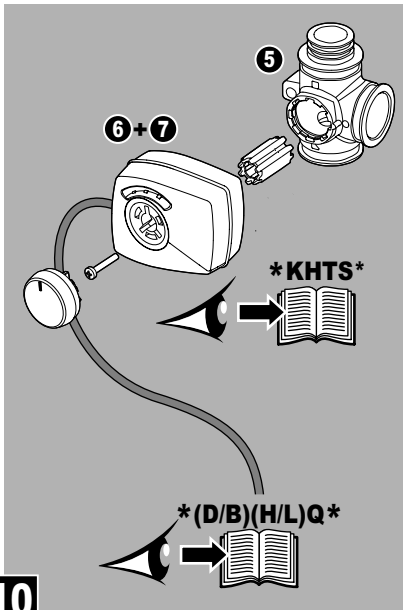
(D/B)(H/L)Q



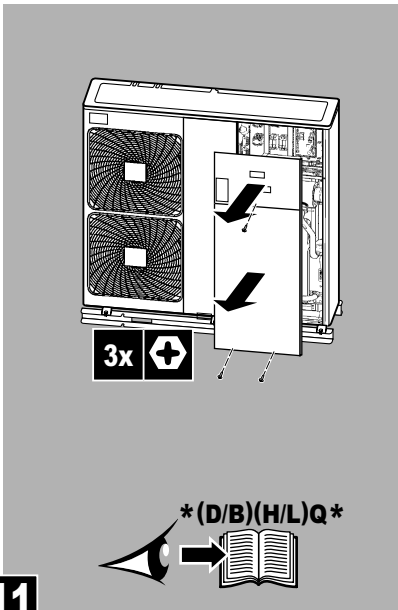
8



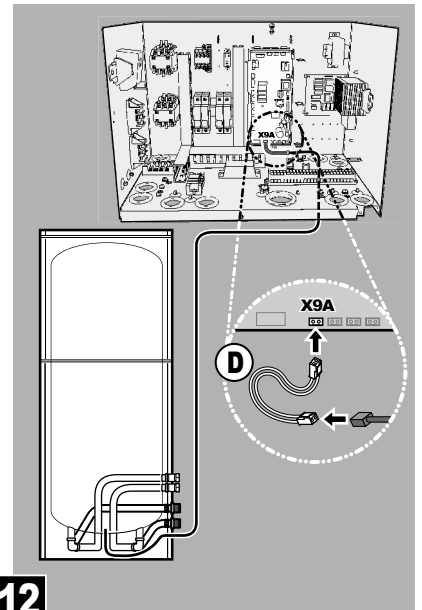
9



10

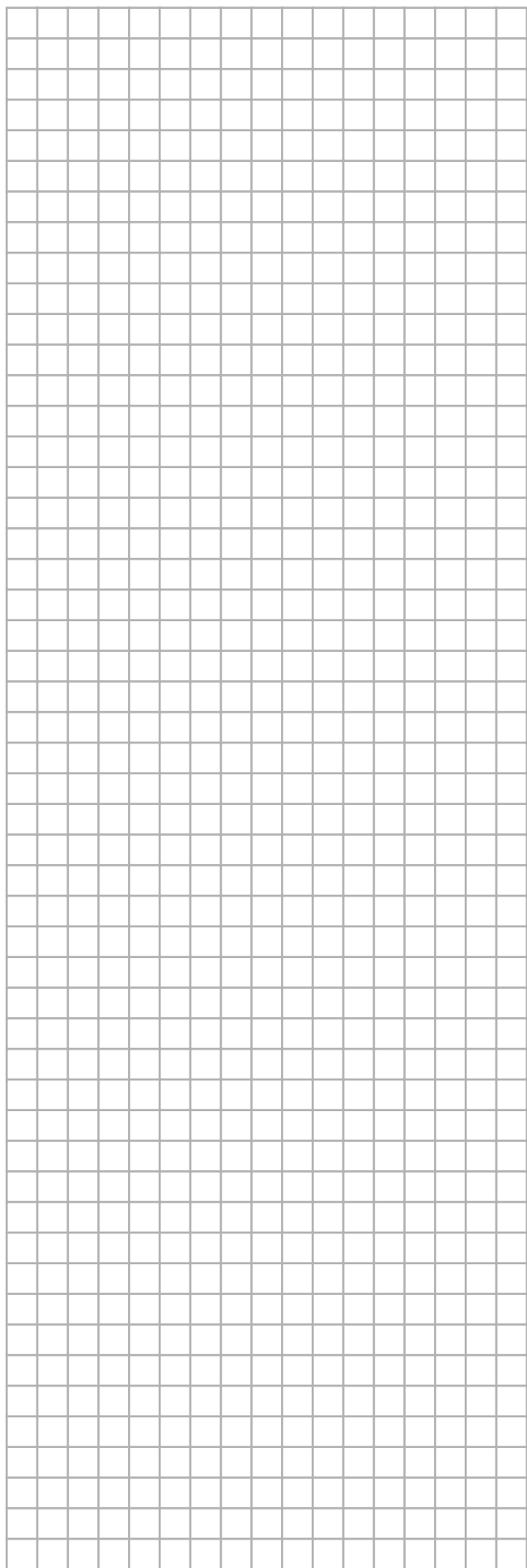
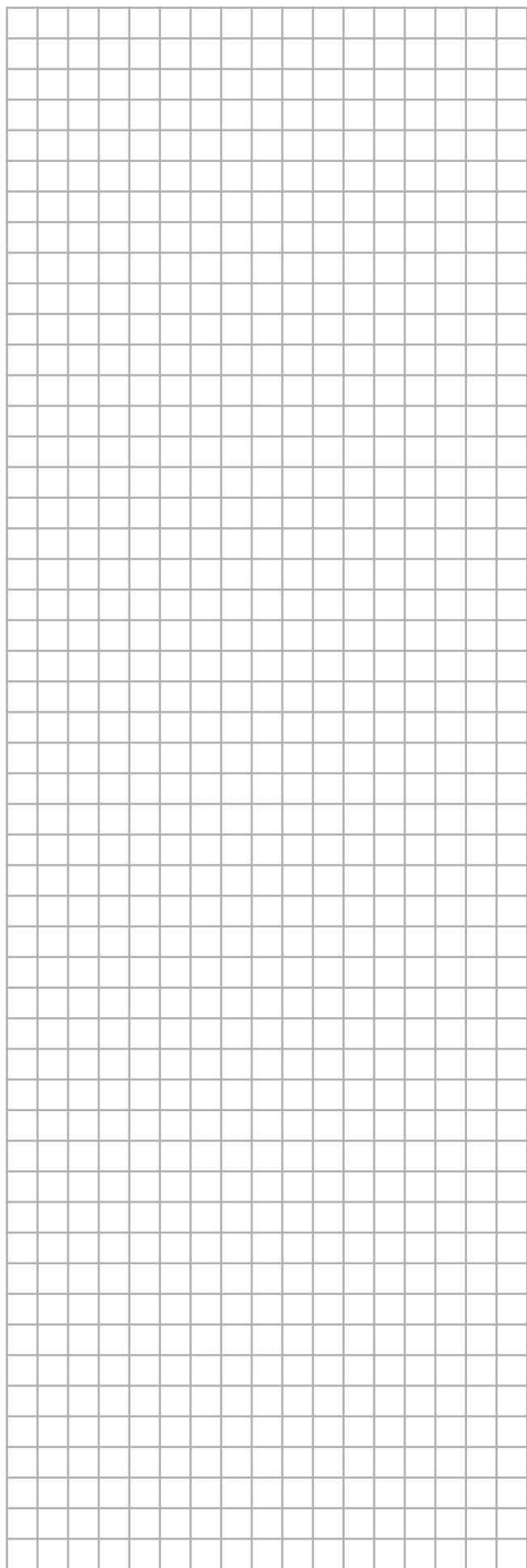


11

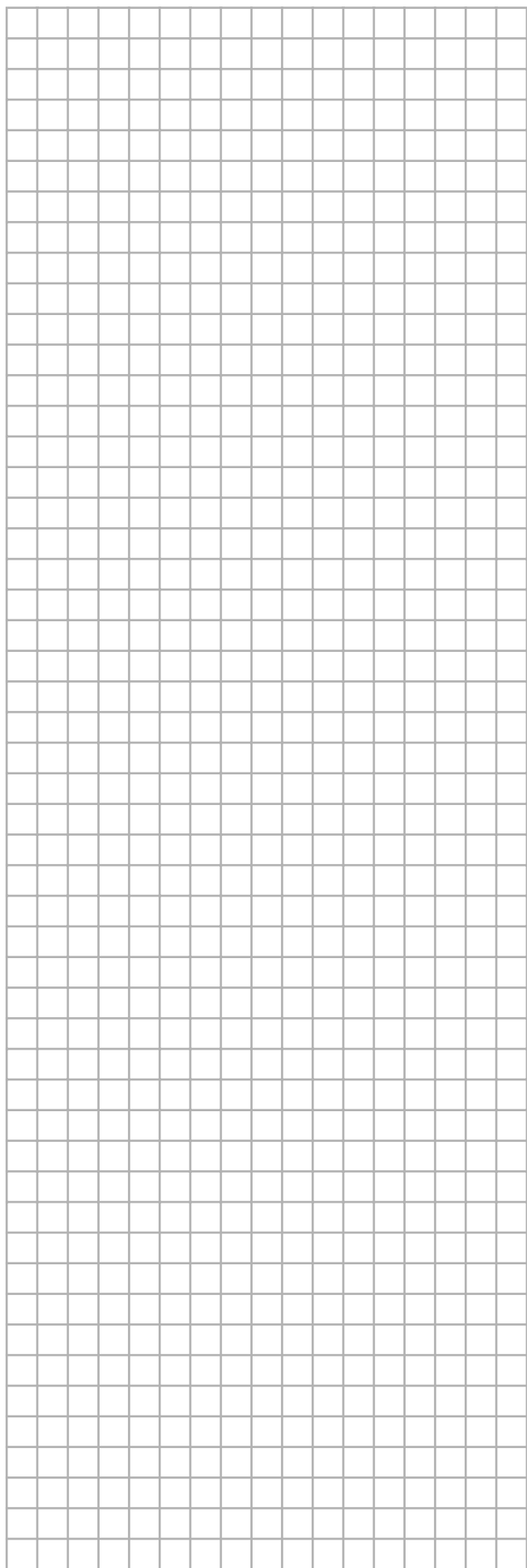
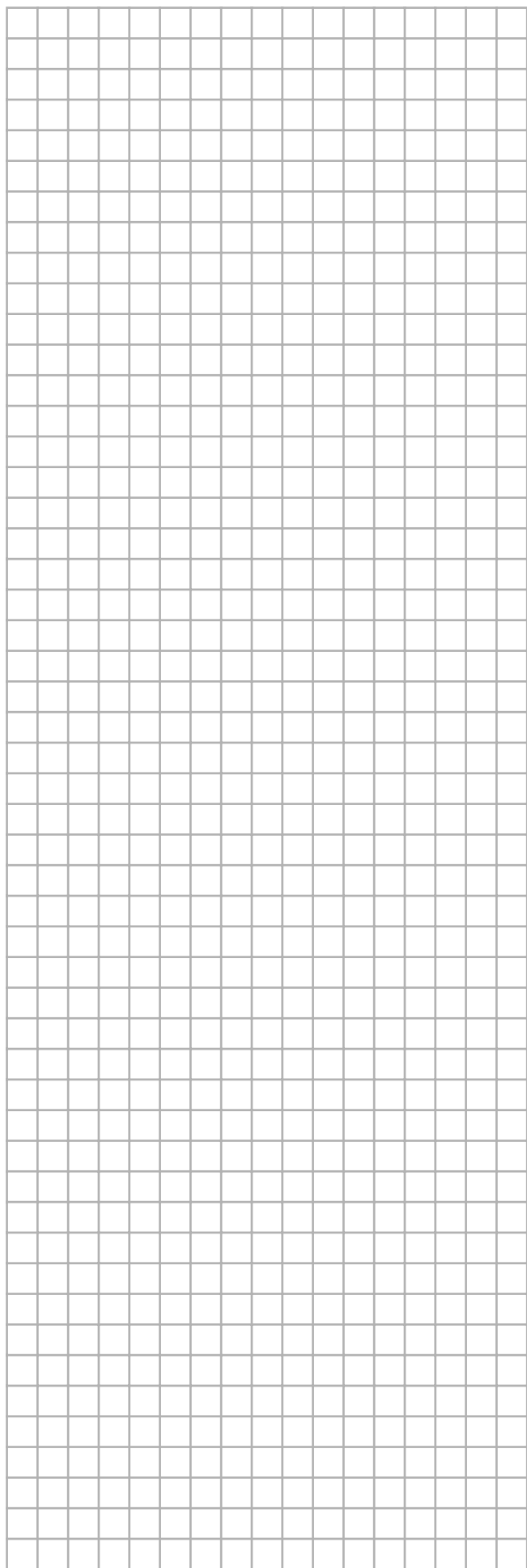


12

NOTES



NOTES





4PW62603-1 00000004

Copyright 2010 Daikin

DAIKIN EUROPE N.V.

Zandvoordestraat 300, B-8400 Oostende, Belgium

4PW62603-1 10.2010