

EKPS076197 / EKPS076207 / EKPS076217 / EKPS076227

Conversion Instructions Natural Gas G20 to Natural Gas G25

Contents:

Gas metering ring (for diameter see table below)	1	Conversion instruction manual	1
Sticker gas type / gas supply pressure	2		

THE APPLIANCE IS FOR USE WITH NATURAL GAS OR LPG. (Cat II 2H3P)

These instructions must be read in conjunction with the installation & servicing instructions. This conversion may only be carried out by a competent person and has to be in accordance with local or national standards that apply when converting to an G25 appliance.

It must NOT be attempted unless the person carrying out the conversion is equipped with a combustion analyser and is competent in its use.

ISOLATE MAINS ELECTRICAL SUPPLY AND REMOVE OUTER CASE AS SHOWN IN THE INSTALLATION, COMMISSIONING & SERVICING INSTRUCTIONS.

Important: Do not install the appliance into a room or internal space below ground level when it is intended for use with Natural Gas G25. This does not apply to basements that are open on at least on side.

Installation Regulations

In addition to those specified in the installation and operation manual of the boiler, the following local or national standard apply.

All conversions require the air/gas ratio to be set correctly in accordance with the gas that will be used. The procedure for setting the air/gas ratio is included in these instructions.

Conversion of the setting ring

1. Switch off the electrical supply to the appliance
2. Close the gas tap on the gas supply to the appliance
3. Remove the front cover of the appliance
4. Disconnect the coupling above the gas valve and turn the gas mixing pipe backwards
5. Replace the O-ring and the gas setting ring with the rings of the conversion set
6. Reconnect the coupling above the gas valve and open the gas tap
7. Check the gas connections for tightness/leaks
8. Switch on the electrical supply to the appliance
9. Check, and when needed change the gas/air ratio (CO₂%). See table below and text at the next page.



CAUTION

It is not possible to adjust the CO₂ level at high setting. When the CO₂ level at high setting is not within the prescribed tolerance band, please contact your supplier. For adjusting the CO₂ level at low setting see the table below and the text on the next page.

10. Apply a LPG sticker to the nut at the upper side of the gas valve
11. Apply a LPG sticker to the appliance plate (lower left corner) in such a way that the G20 data is covered.
12. Remount the front cover of the appliance.

Setting values

Gas type :	Natural Gas L	
Gas category	G25	
CO ₂ % at high setting (H) (service and +)	9.1± 0,3	
CO ₂ % at low position (L) (service and -)	The CO ₂ level at low setting must be between 0.1 % and 0.3 % lower than the level at high setting. Important: The CO ₂ level at low setting must never be under 8.5 %.	
Gas inlet pressure (mBar)	25	
Boiler model :	Article number conversion set	Gas setting ring :
RHOB12AAV1(H), RHOBG12AAV1	EKPS076197	620
RKOMBG22AAV1, RHOBG18AAV1 EKOMBG22AAV1	EKPS076207	550
RKOMB22AAV1(H), RKOMBG28AAV1, RHOB18AAV1(H) EKOMB22AAV1(H), EKOMBG28AAV1	EKPS076217	650
RKOMB28AAV1(H), RKOMB33AAV1(H), RKOMBG33AAV1, RHOB42AAV1(H), EKOMB28AAV1(H), EKOMB33AAV1(H), EKOMBG33AAV1, RHYKOMB33AA, EHYKOMB33AA	EKPS076227	720

Setting gas/air adjustment

Setting by measurement of the CO₂ content of the combustion gases

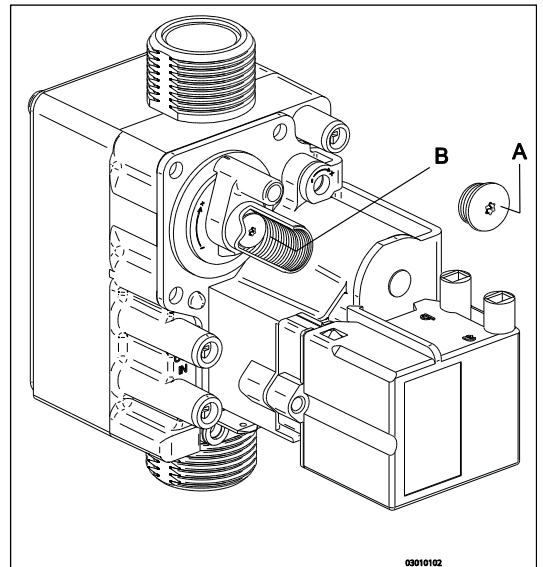
- A. Cover screw
- B. Adjusting screw for low position

1. Switch the appliance off with the on/off **⏻** key (**□** on **↔** display)
2. Unscrew the CO₂ measuring nipple and connect the measuring hose.
3. Remove the front panel from the appliance.
4. Switch the appliance on with the on/off key.
5. Adjust the appliance to the highest power by simultaneously pressing the keys **↔** and **—** on the operating panel until an **H** appears on the display.
6. Check if the CO₂ level is in accordance with the value mentioned in the table on the previous page.



CAUTION

It is not possible to adjust the CO₂ level at high setting.
When the CO₂ level at high setting is not within the prescribed tolerance band please contact your supplier.



7. Note the measured CO₂ value and adjust the appliance to the lowest power by simultaneously pressing the keys **↔** and **—** on the operating panel until an **□** appears on the display.
8. Measure the CO₂ value. If the CO₂ value does not correspond with the value in the table on the previous page proceed with setting as follows:
9. Remove the cover cap (A, Torx T15)
10. Adjust the set screw (B) to the correct CO₂ value (clockwise higher and anti-clockwise lower).
11. After measurement and setting replace the cover cap (A) and close the CO₂ measurement nipple.
12. Adjust the appliance to the maximum power by simultaneously pressing the keys **↔** and **+** (2 x) on the operating panel until an **H** appears on the display.
13. Measure the CO₂ value. If the CO₂ value does not correspond with the value in the table on the previous page please contact the manufacturer.
14. Press simultaneously on the **+** and **—** keys to leave the test program.
15. Fit the front panel to the appliance.

Note

Check that the measurement nipples used are gas-tight.

We have a policy of continual improvement and development therefore, we reserve the right to change specifications without prior notice.

