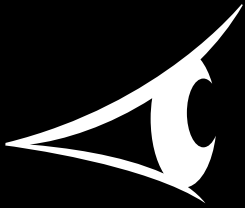


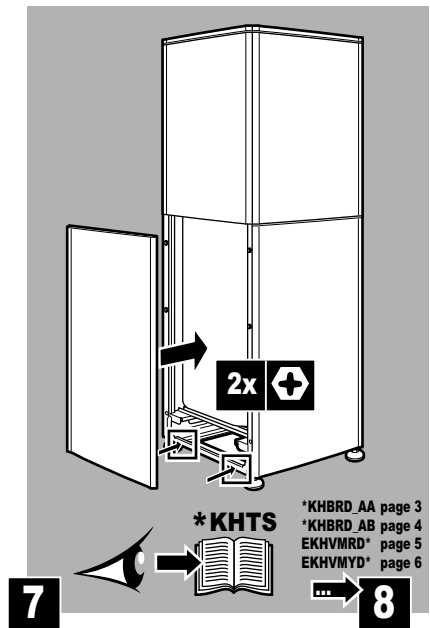
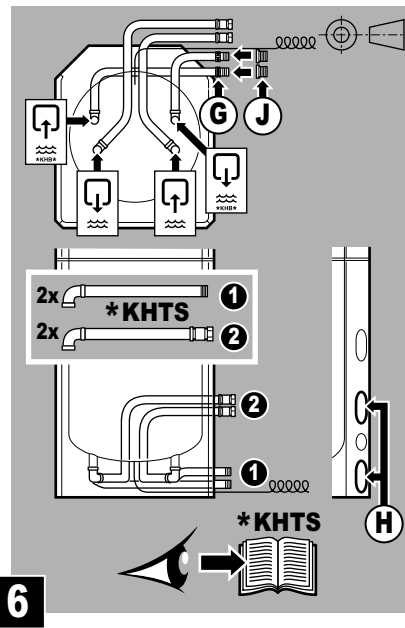
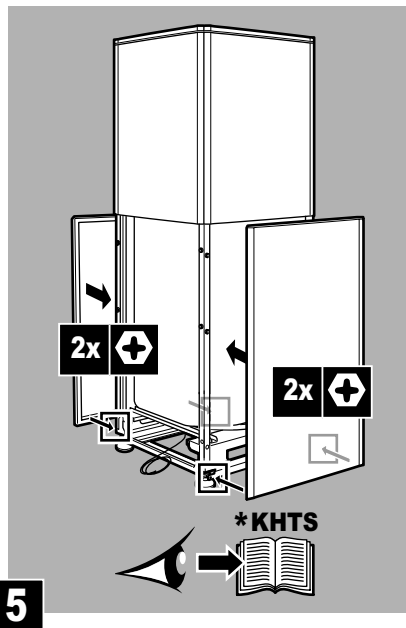
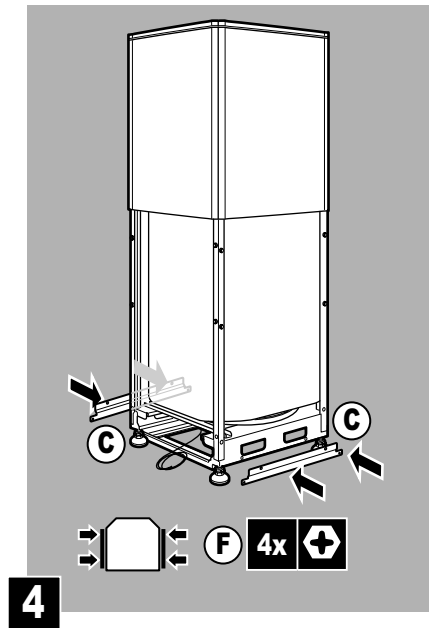
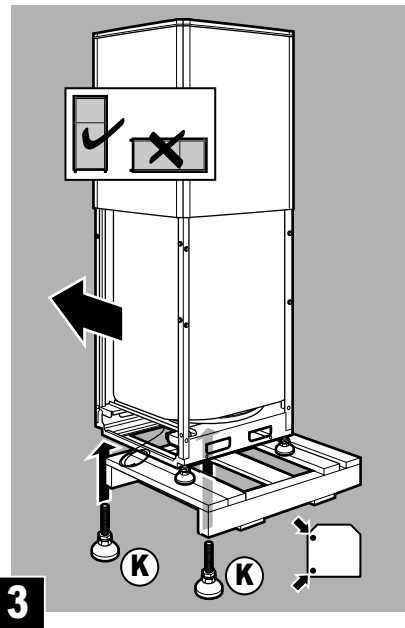
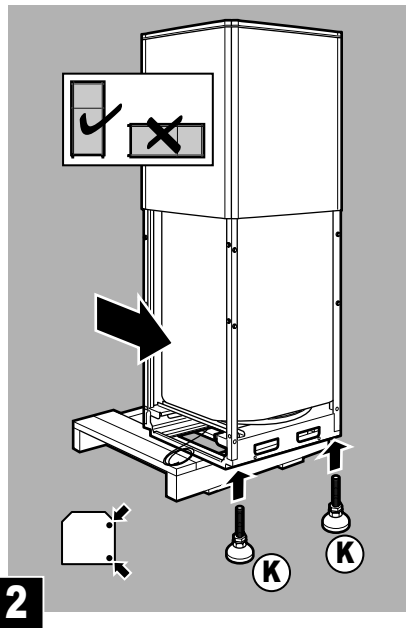
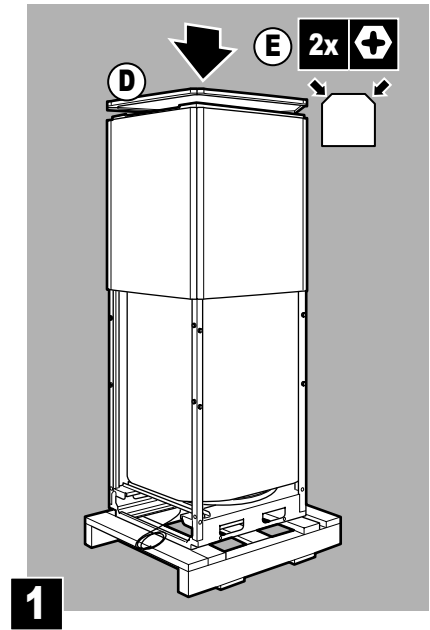
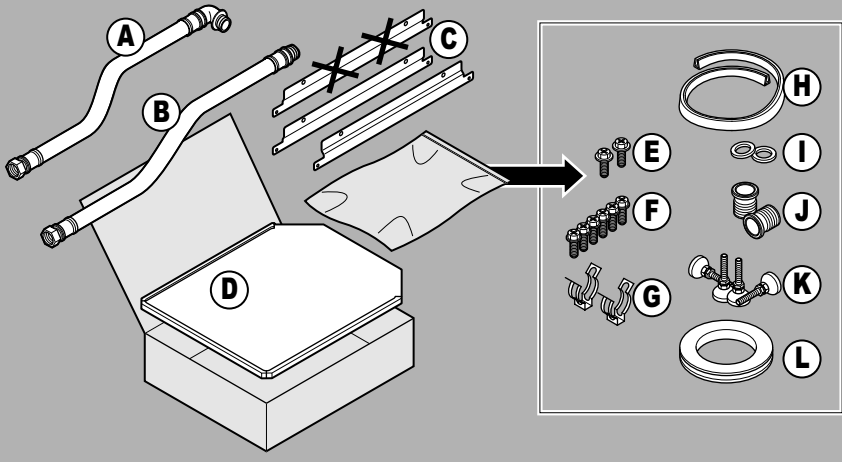


INSTALLATION MANUAL



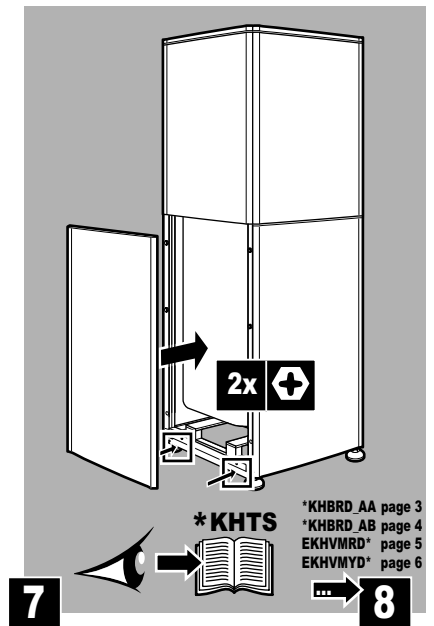
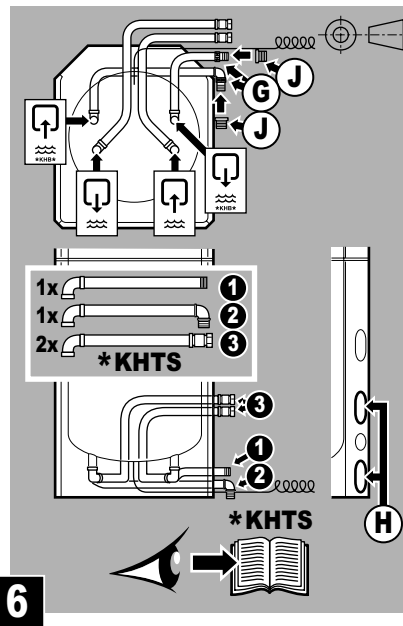
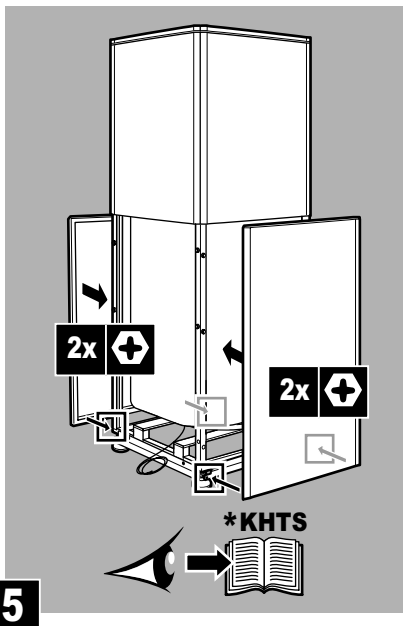
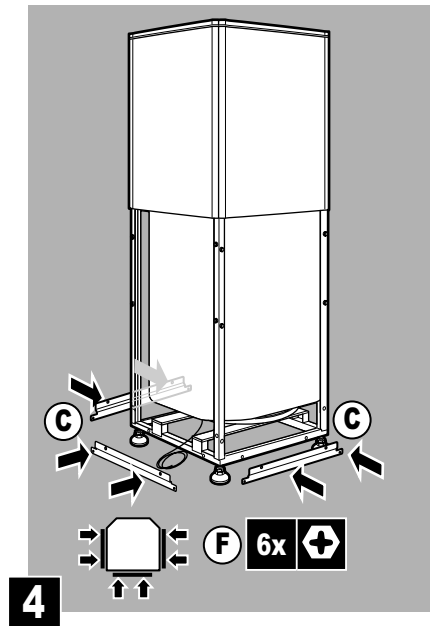
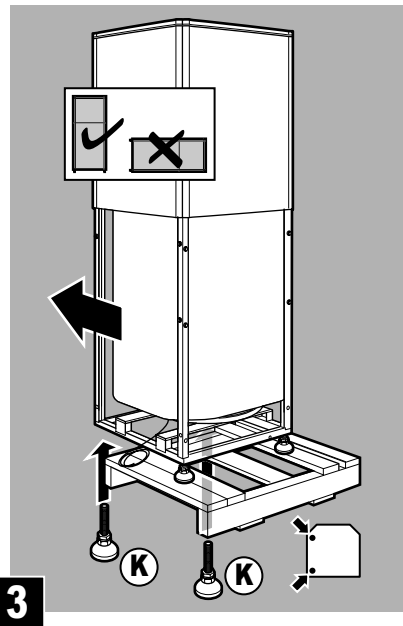
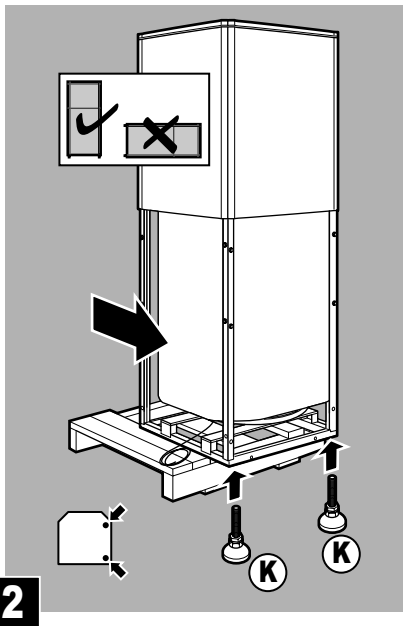
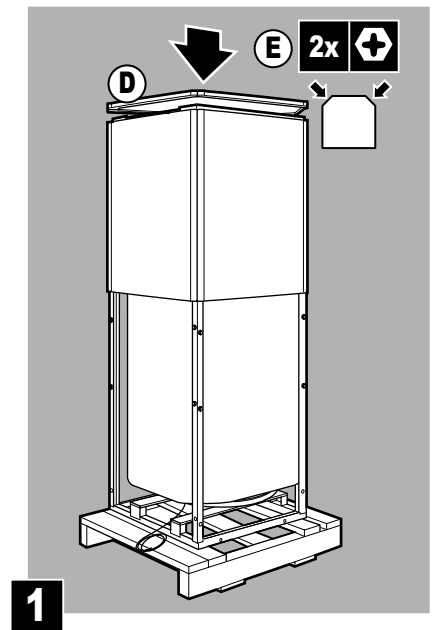
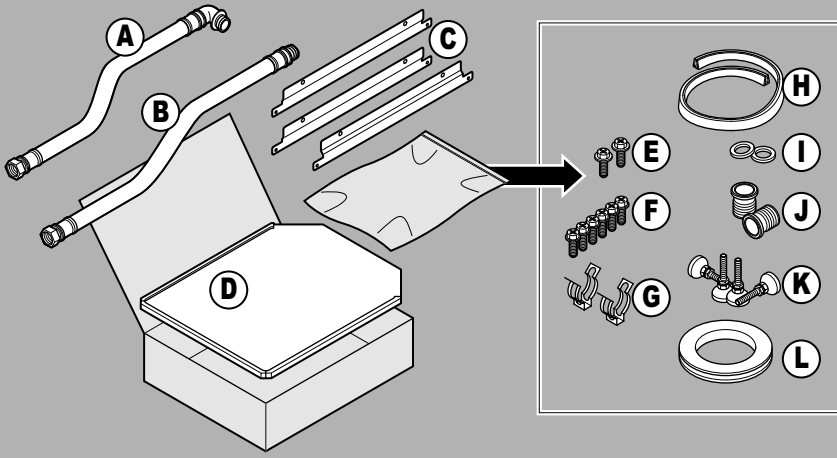
**Connection kit for
floor mounted tank**

***KHTS_A**



*KHBRD_AA page 3
*KHBRD_AB page 4
EKHVMRD* page 5
EKHVMYD* page 6

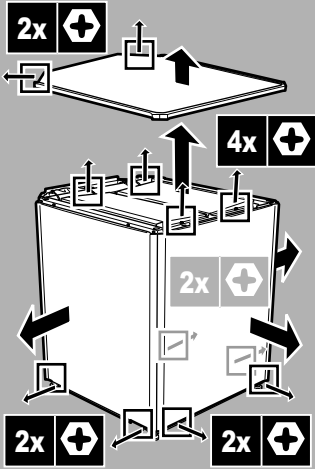
***KHTS_AB**



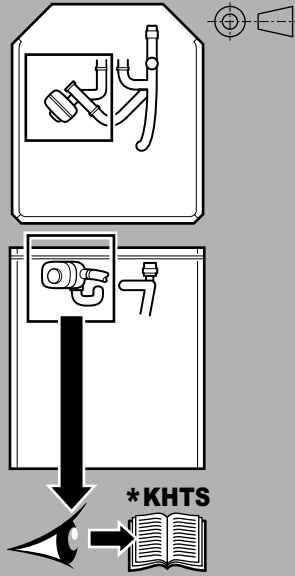
*KHB RD_AA page 3
 *KHBRD_AB page 4
 EKHV MRD page 5
 EKHV MYD page 6

8

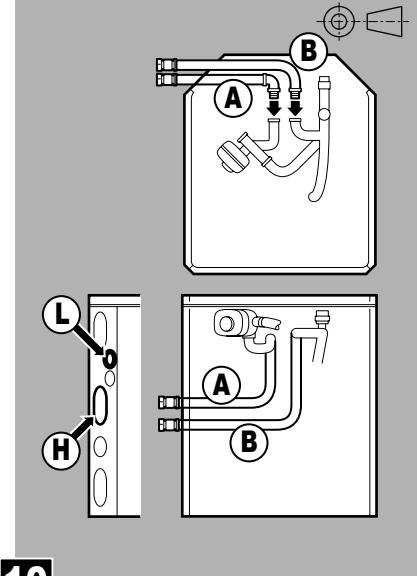
***KHBRD_AA**



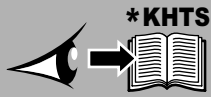
8



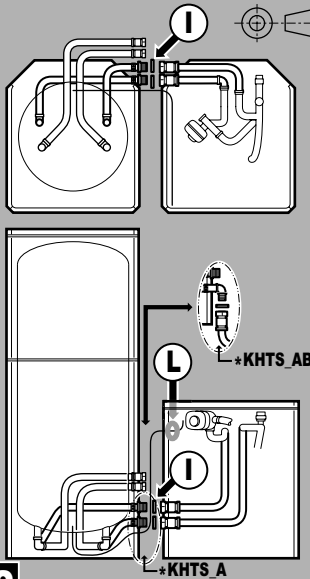
9



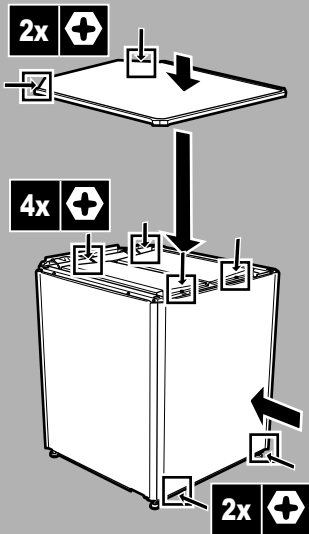
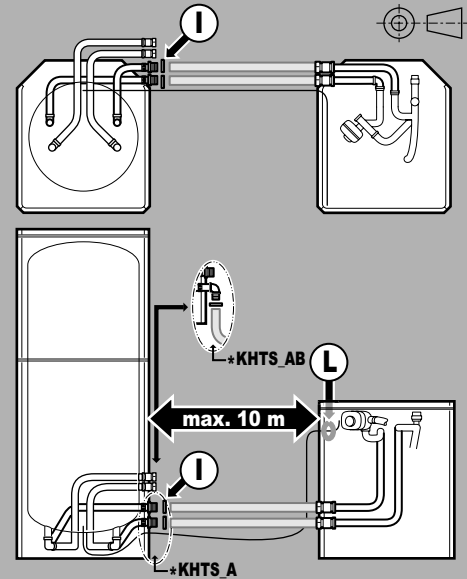
10



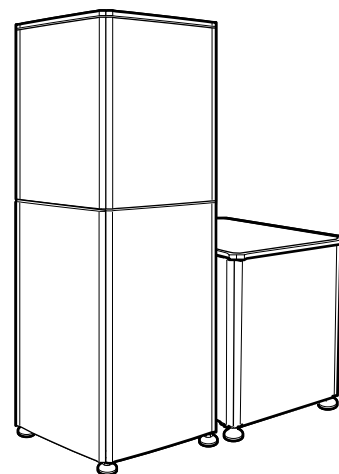
11

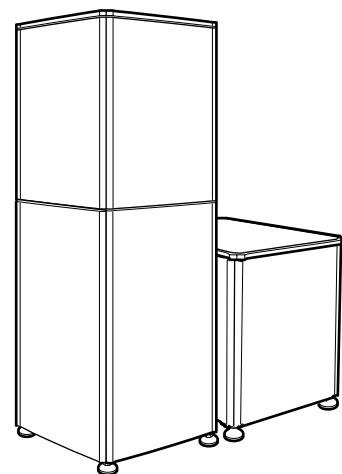
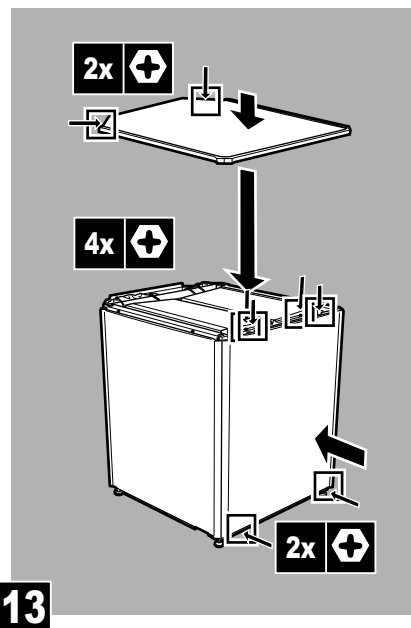
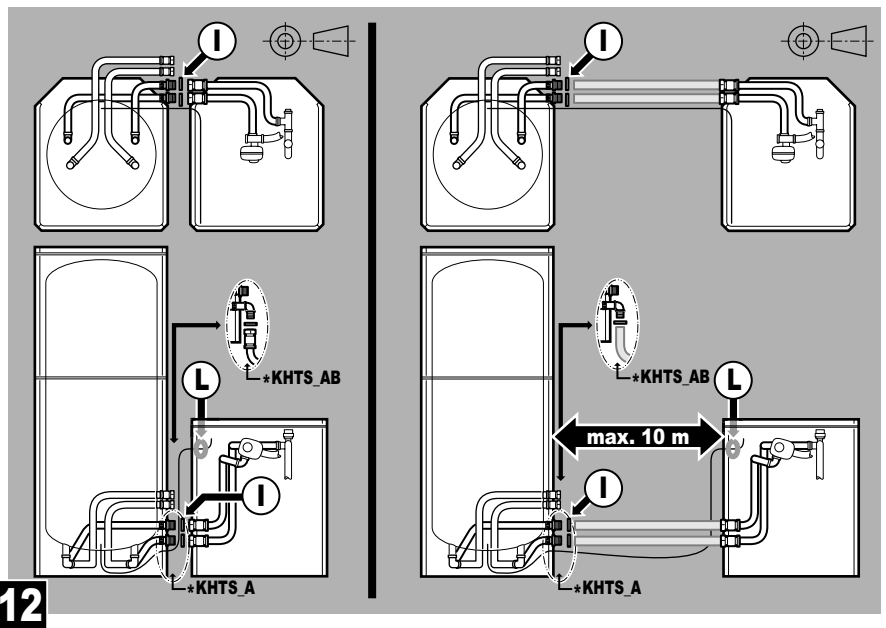
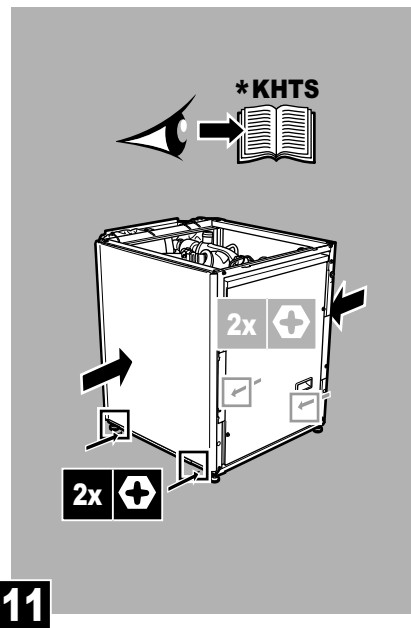
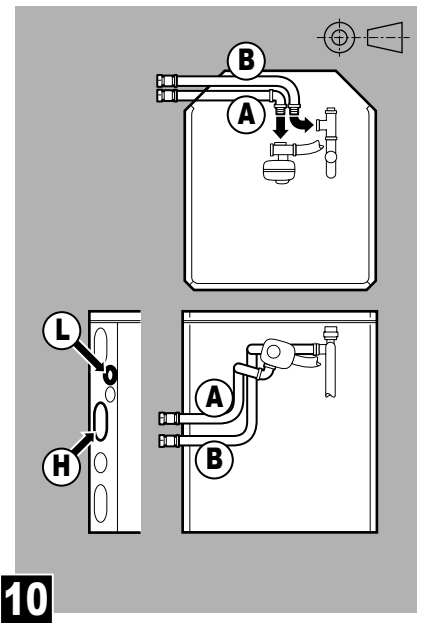
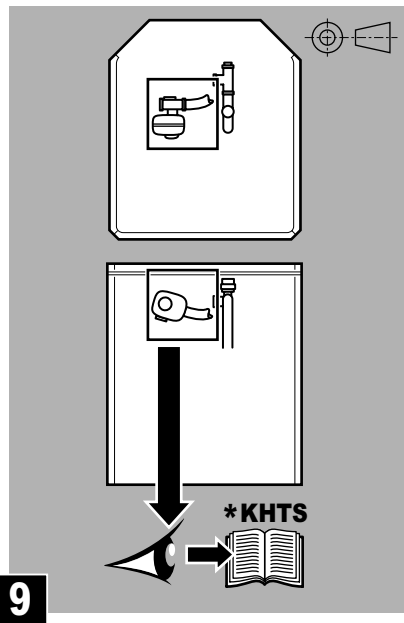
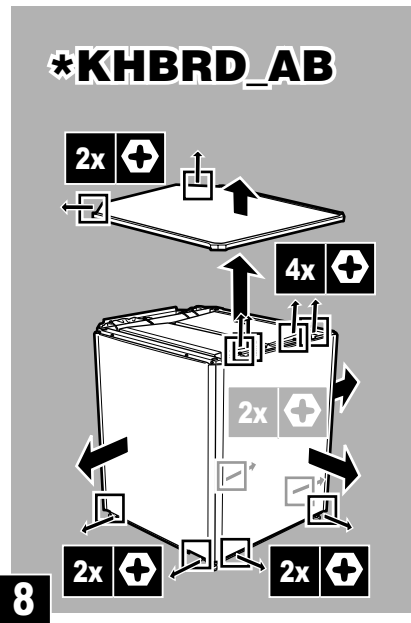


12

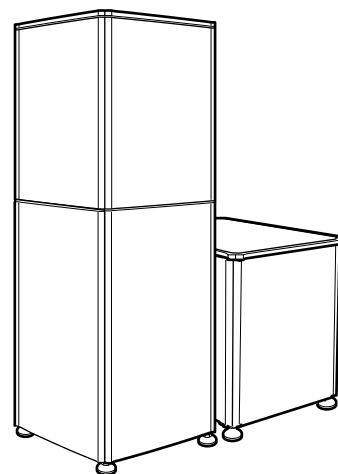
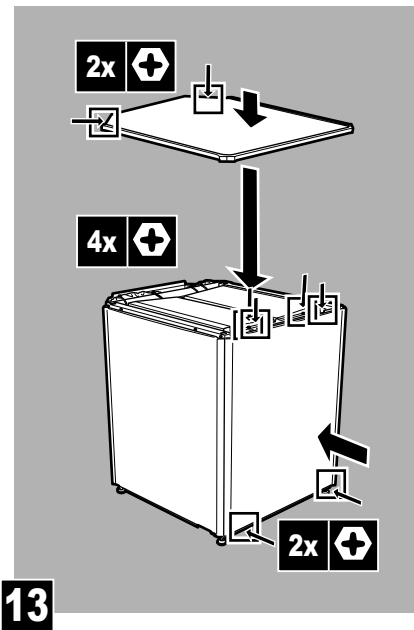
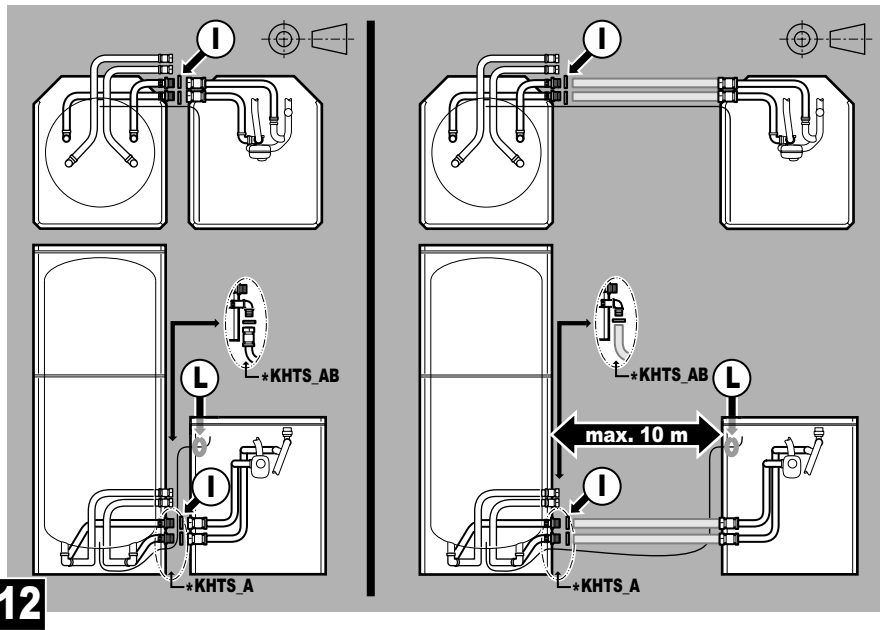
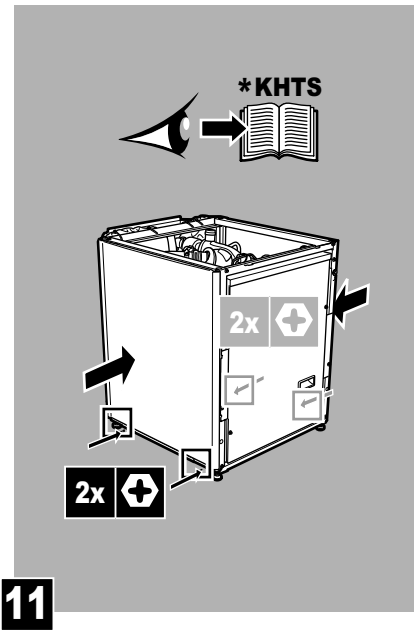
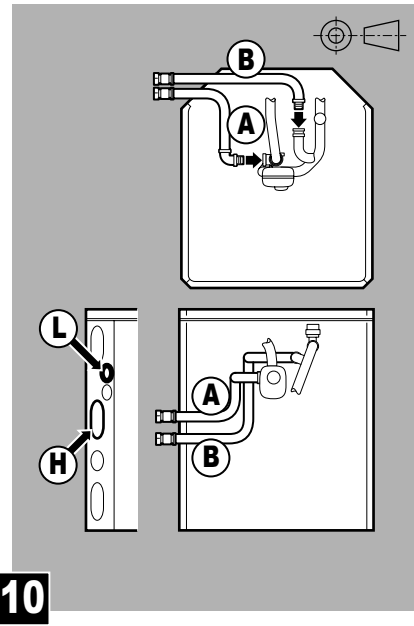
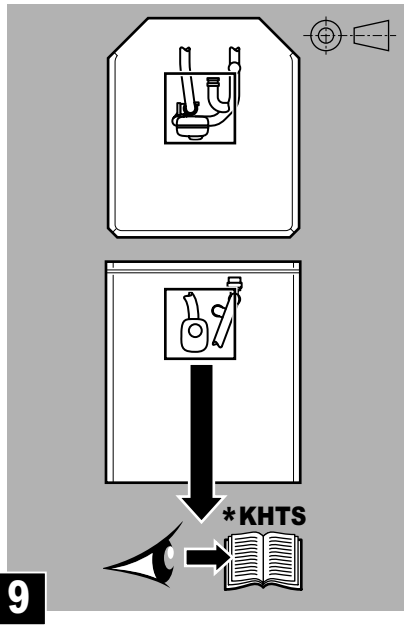
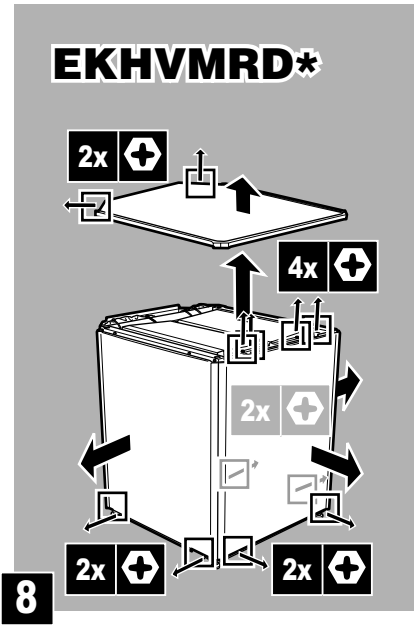


13

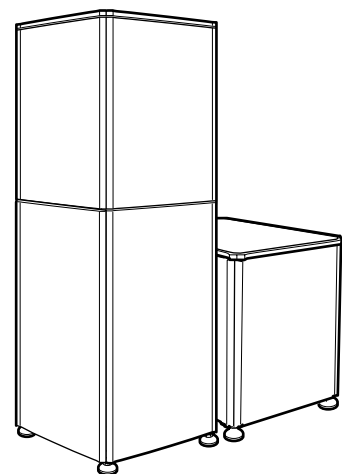
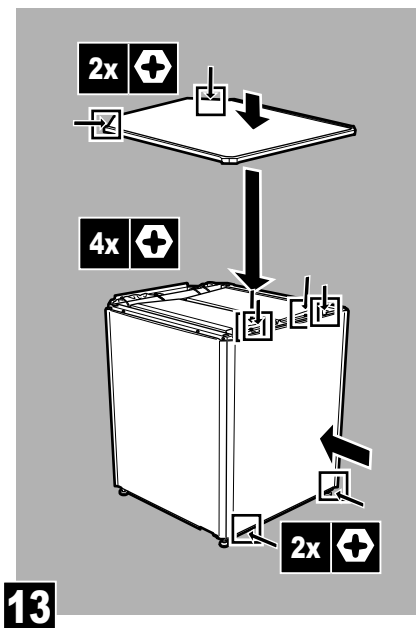
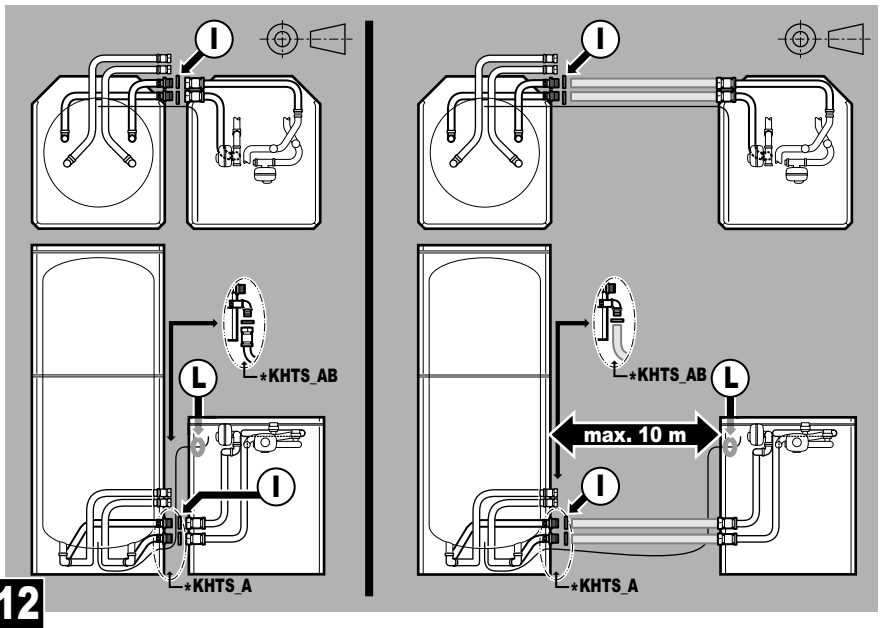
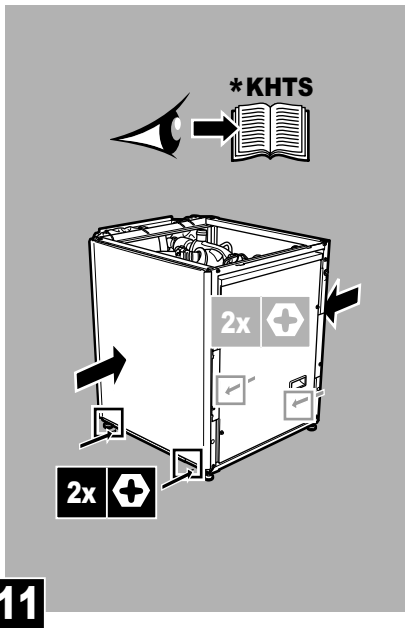
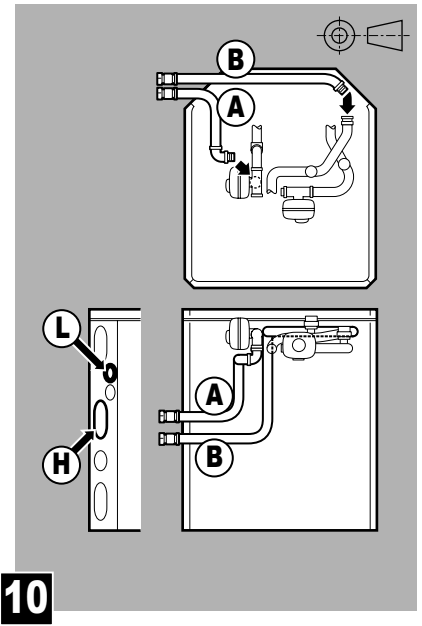
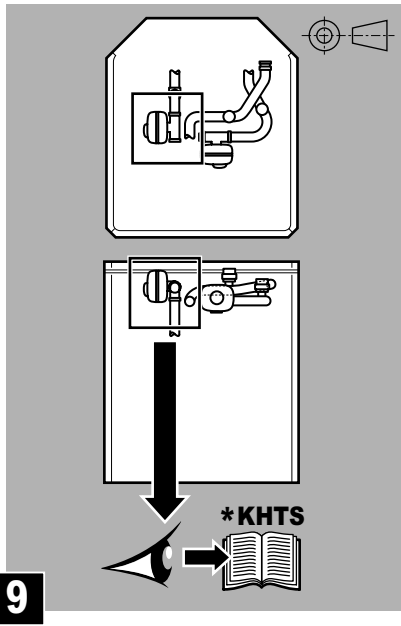
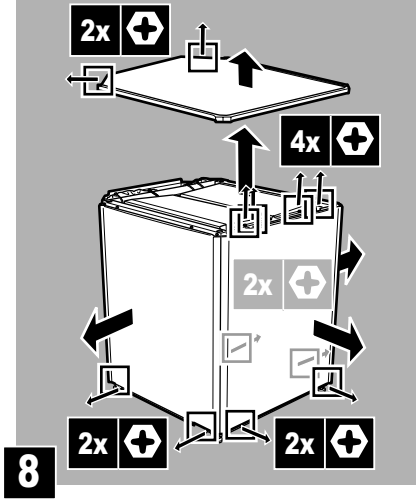




EKHMVRD*



EKHVMYD*





4PW61465-1 A 0000000

Copyright 2010 Daikin

DAIKIN EUROPE N.V.

Zandvoordestraat 300, B-8400 Oostende, Belgium

4PW61465-1A