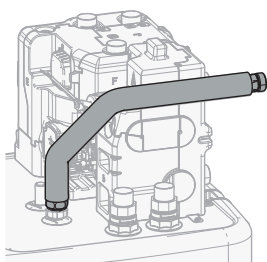






DAIKIN Altherma 3 H MT ECH₂O
ETS*12-E

DAIKIN Altherma 3 H HT ECH₂O
ETS*16-E(7)

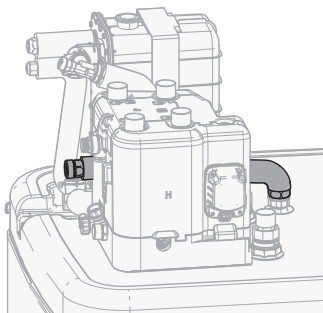


 = 300 l 

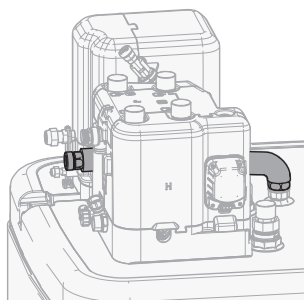
 = 500 l 

DAIKIN Altherma 3 R ECH₂O
EBS*-D

DAIKIN Altherma 3 R MT ECH₂O
ELS*-E



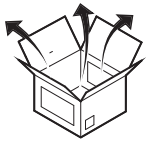
DAIKIN Altherma 3 R ECH₂O
EHS*-E



EKECDBC01A*
EKECDBC02A*

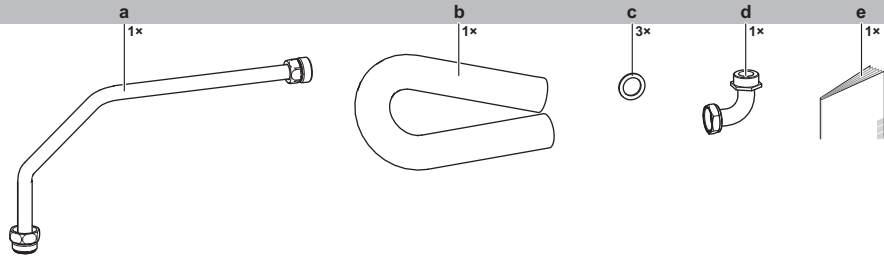


[EKECDBC01AF]

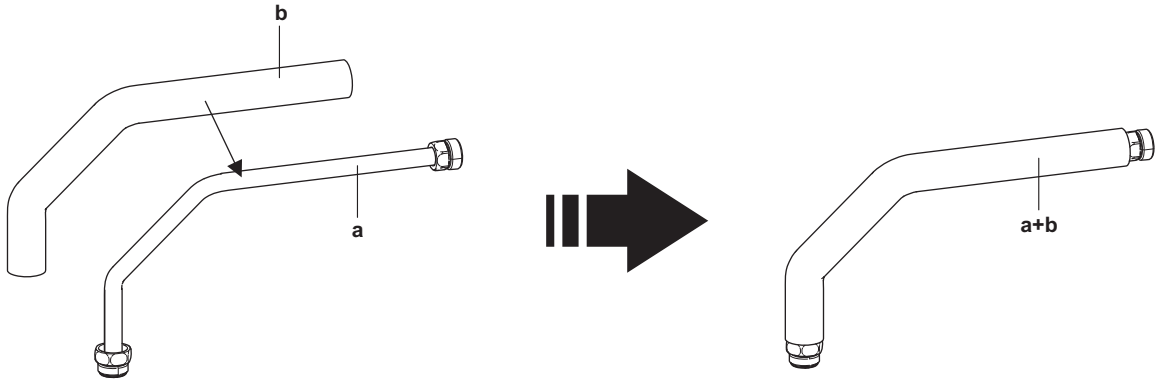


= 300 l
 = 500 l

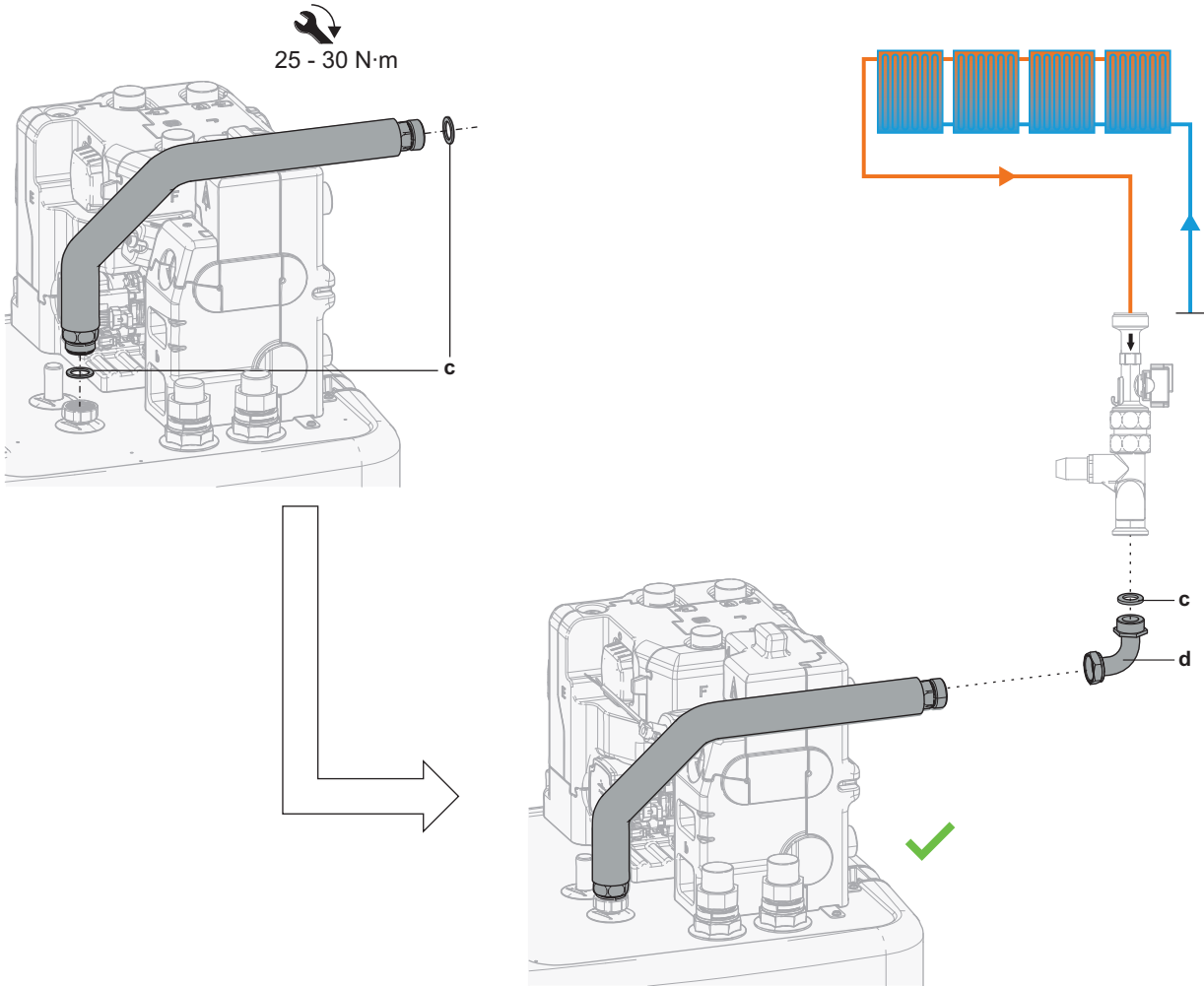
EKECDBC01A*



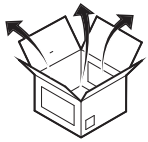
1.1



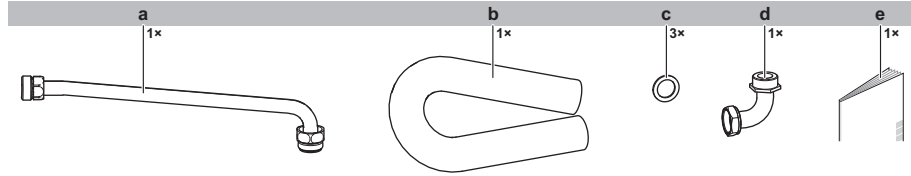
1.2



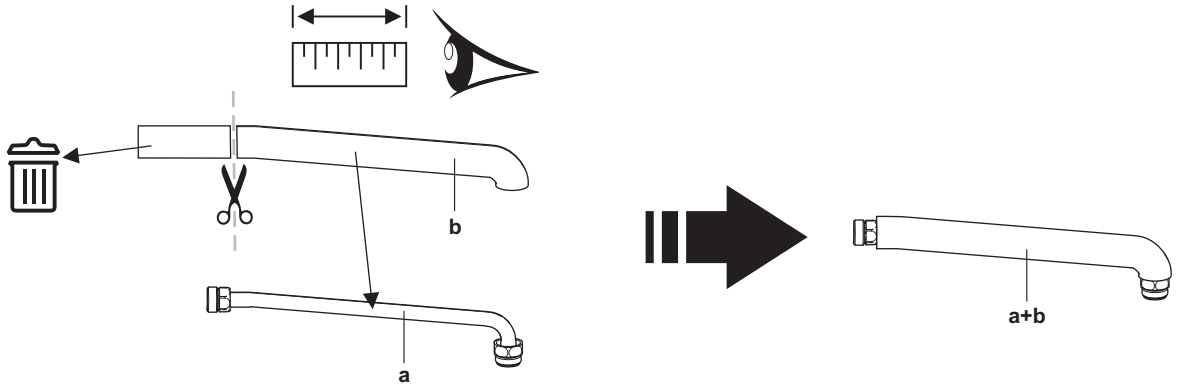
DAIKIN Altherma 3 H MT ECH₂O - ETS*12-E /
 DAIKIN Altherma 3 H HT ECH₂O - ETS*16-E(7)
 +
 EKECDBC01A*



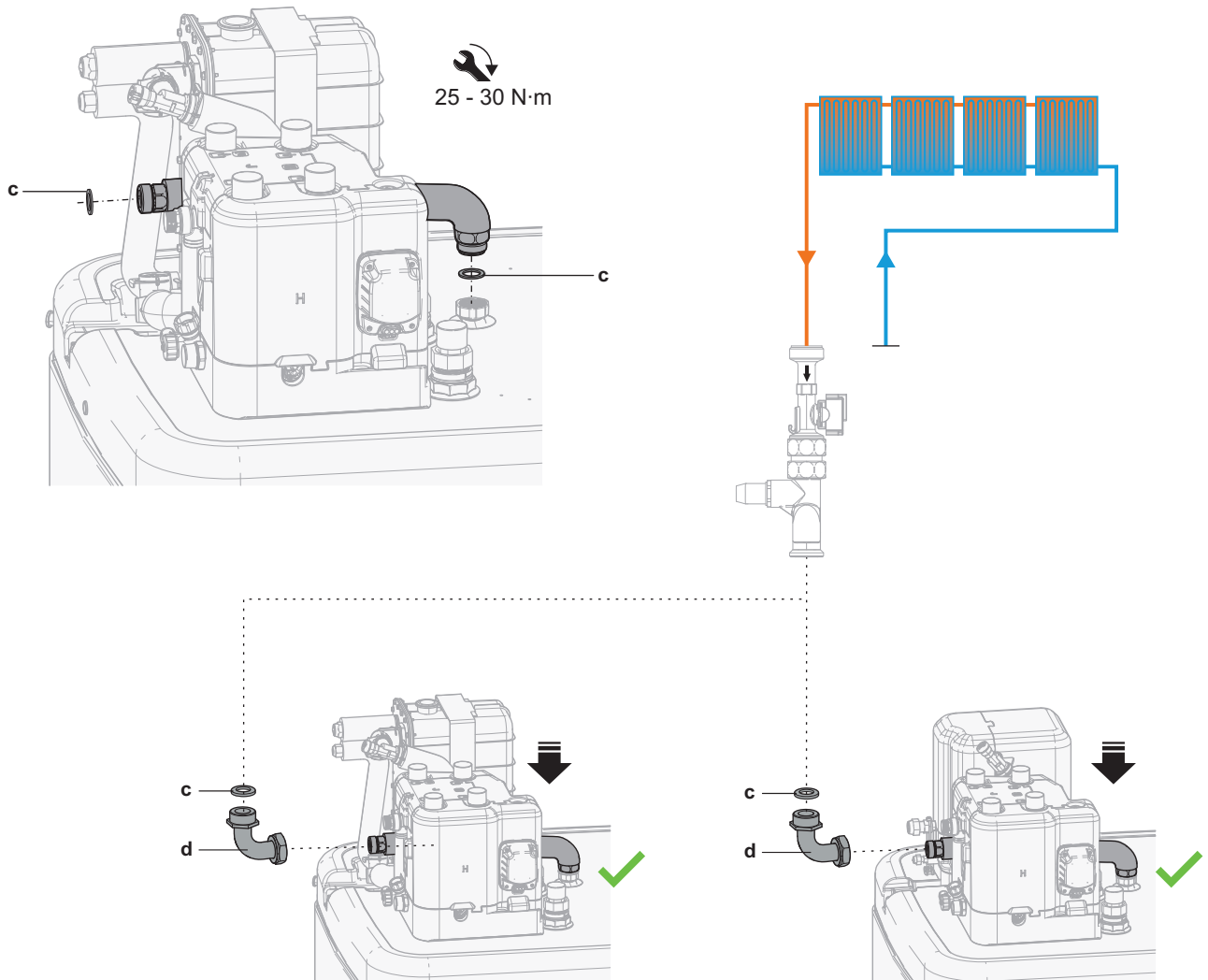
EKECDBC02A*



2.1



2.2



DAIKIN Altherma 3 R ECH₂O - EBS*-D /
DAIKIN Altherma 3 R MT ECH₂O - ELS*-E
+
EKECDBC02A*

DAIKIN Altherma 3 R ECH₂O - EHS*-E
+
EKECDBC02A*



[EKECDBCO*AF]

DAIKIN EUROPE N.V.

Zandvoordestraat 300, B-8400 Oostende, Belgium

4P685097-1B 01/2023

Copyright © Daikin