

DAIKIN



INSTALLATION MANUAL

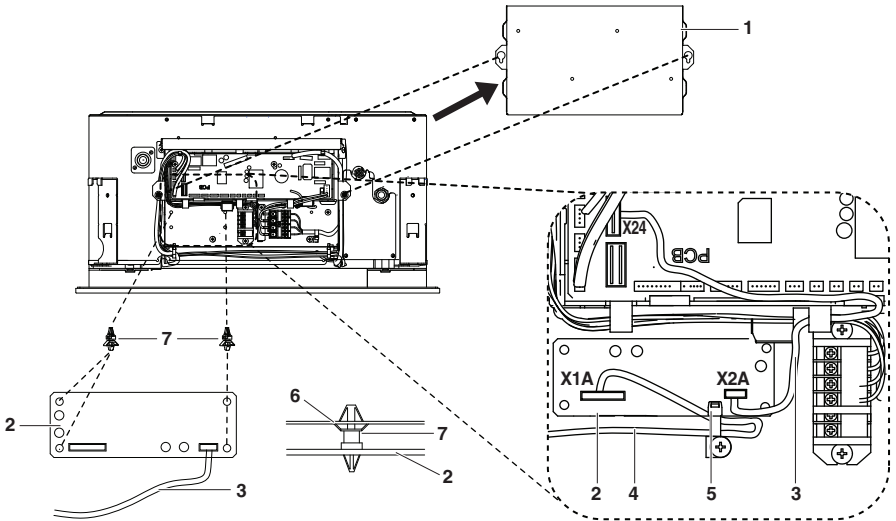
Wireless remote controller kit

BRC7F530W
BRC7F530S
BRC7EB530W

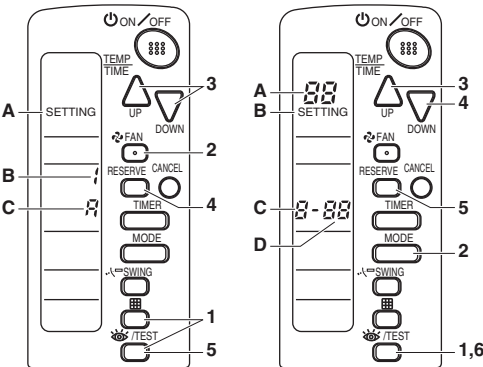
	1	1	2	3	4	5	6	7									
BRC7F530W							<table border="1"> <tr><td>1</td><td>2</td><td>3</td></tr> <tr><td>1</td><td>2</td><td>3</td></tr> <tr><td>1</td><td>2</td><td>3</td></tr> </table>	1	2	3	1	2	3	1	2	3	
1	2	3															
1	2	3															
1	2	3															
BRC7F530S		1X	1X	1X	1X	2X	1X	2X									
BRC7EB530W	1X		1X	1X	1X	2X	1X	2X									

	8	9	10	11	12
BRC7F530W					
BRC7F530S	2X	3X	4X	1X	1X
BRC7EB530W	2X	4X	4X	1X	1X

1



2



3

4

Contents

	Page
Safety considerations	1
Before installation	1
Accessories	1
Note to the installer	1
Remote controller installation	2
Installing the wireless remote controller	2
Determination of address and MAIN/SUB remote controller	2
Setting procedure	2
Installation of the transmitter board	3
Installation of the decoration panel	3
Installation of the receiver in case of BRC7EB530W	4
Installation of the receiver in case of BRC7F530S/W ...	4
Field setting	5
Test operation	6



READ THIS MANUAL ATTENTIVELY BEFORE STARTING UP THE UNIT. DO NOT THROW IT AWAY. KEEP IT IN YOUR FILES FOR FUTURE REFERENCE.

IMPROPER INSTALLATION OR ATTACHMENT OF EQUIPMENT OR ACCESSORIES COULD RESULT IN ELECTRIC SHOCK, SHORT-CIRCUIT, LEAKS, FIRE OR OTHER DAMAGE TO THE EQUIPMENT. BE SURE ONLY TO USE ACCESSORIES MADE BY DAIKIN WHICH ARE SPECIFICALLY DESIGNED FOR USE WITH THE EQUIPMENT AND HAVE THEM INSTALLED BY A PROFESSIONAL.

IF UNSURE OF INSTALLATION PROCEDURES OR USE, ALWAYS CONTACT YOUR DAIKIN DEALER FOR ADVICE AND INFORMATION.

The English text is the original instruction. Other languages are translations of the original instructions.

Safety considerations

Please read this "Safety considerations" carefully before installing air conditioning equipment and be sure to install it correctly. After completing the installation, make sure at start up operation that the unit operates properly. Please instruct the customer how to operate the unit and how to perform maintenance.

Meaning of caution symbols



Failure to observe these instructions properly may result in property damage or personal injury.

Information classified as **NOTE** contains instructions to ensure proper use of the equipment.



- Refer also to the installation manual supplied with the indoor unit and the installation manual supplied with the decoration panel.
- There is only 1 possible installation position of this kit into the decoration panel. It is therefore recommended that installation orientation of the decoration panel is confirmed prior to installation of this kit.
 - Ensure that nothing interrupts operation of the wireless remote controller.
 - Ensure that the signal from the remote controller can easily be transmitted.
 - Ensure that the operation display lamp and other indicator lamps can easily be seen.
 - Ensure that there is neither a source of light nor a fluorescent lamp near the receiver.
 - Ensure that the receiver is not exposed to direct sunlight.

Before installation

Accessories

See [figure 1](#). Check if the following accessories are included with your kit.

- 1 Receiver
- 2 Transmitter board
- 3 Wireless remote controller
- 4 Remote controller holder
- 5 Alkaline battery of type AAA.LR03
- 6 Unit number label
- 7 Screw for installing remote controller holder
- 8 Installation manual
Operation manual
- 9 Clamp
- 10 Plastic pin
- 11 Plastic holder
- 12 Sealing

Note to the installer

Be sure to instruct the customer how to properly operate the system showing him/her the supplied operation manual.

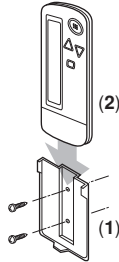
Remote controller installation

Installing the wireless remote controller

- Do not throw the remote controller or subject it to powerful shocks and do not store the remote controller where it may be exposed to moisture or direct sunlight.
- When operating, point the transmitting part of the remote controller in the direction of the receiver.
- The direct transmitting distance of the remote controller is approximately 7 meters.
- The signal cannot be transmitted if something such as curtains blocks the receiver and the remote controller.

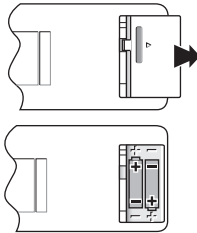
Installing to a wall or a pillar

- 1 Fix the remote controller holder with the supplied screws.
- 2 Slide the remote controller into the remote controller holder from the top.



How to insert the batteries

- 1 Open the back cover of the remote controller by sliding it in the direction of the arrow.
- 2 Insert the attached dry cell batteries. Properly insert batteries by matching the (+) and (-) polarity marks as indicated. Then close the cover as before.



Determination of address and MAIN/SUB remote controller

- If setting multiple wireless remote controllers to operate in one room, perform address setting for the receiver and the wireless remote controller.
- If setting multiple wired remote controllers in one room, change the MAIN/SUB switch of the receiver.

Setting procedure

Setting the receiver

Set the wireless address switch (SS2) on the transmitter board according to the table below.

	Unit No.		
	1	2	3
Wireless address switch (SS2)			

When using both a wired and a wireless remote controller for 1 indoor unit, the wired controller should be set to MAIN. Therefore, set the MAIN/SUB switch (SS1) of the transmitter board to SUB.

	MAIN	SUB
	MAIN/SUB switch (SS1)	

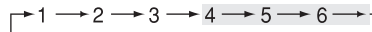
Setting the address of the wireless remote controller

(See figure 3)

- A Field Set mode
- B Address (is factory set to "1")
- C Display setting

Setting from the remote controller

- 1 Hold down the button and the /TEST button for at least 4 seconds to enter the Field Set mode. (Indicated in the display area in the figure.)
- 2 Press the FAN button and select an appropriate display setting (R/b). Each time the button is pressed the display switches between "R" and "b". Refer to "Display setting R/b" on page 3 for full comprehension of this feature.
- 3 Press the button and button to set the address.



Address can be set from 1 to 6, but set it to 1~3 and to same address as the receiver. (The receiver does not work with address 4~6.)

- 4 Press the RESERVE button to confirm the setting.
- 5 Hold down the /TEST button for at least 1 second to quit the Field Set mode and to return to normal display again.

Display setting *R/b*

The wireless remote controller has 2 possible display settings.

The standard setting *R* permanently indicates all operational items whereas the multi system display setting *b* indicates operations for a limited period of time after execution of settings only.

In case the target indoor unit is simultaneously being controlled;

- by another unit in group control,
- by a wired remote controller,
- by a centralized remote controller.

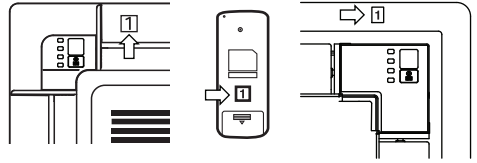
the indoor unit sometimes does not respond to ON/OFF and temperature setting commands from the wireless remote controller.

In order not to confuse the customer with possible discrepancies between the wireless remote controller display and the actual operation state of the indoor unit, it is recommended to set the display on the wireless remote controller to *b* in such a control configuration. Check what setting the customer prefers and adjust the display setting accordingly.

Display setting	Remote controller display	Result of the display setting in case the target indoor unit is simultaneously being controlled by more than 1 device
<i>R</i> : standard	All operational items are permanently displayed.	In the operation mode changeover, temperature setting or the like are carried out from the wireless remote controller, the indoor unit rejects the instruction. (Signal receiving sound "peeh" or "pick-pick-pick") As a result, a display discrepancy between the operation state of the indoor unit and the indication on the wireless remote controller display occurs.
<i>b</i> : multi system	Operations only remain displayed for a short time after execution of the commands.	Since the indications on the wireless remote controller are turned off, a discrepancy such as described above no longer occurs.

Affix the unit number label

Affix corresponding unit number labels onto both air outlet of the decoration panel and onto back of the wireless remote controller.



NOTE Set the Unit No. of the receiver and the wireless remote controller to be equal. If the settings differ, the signal from the remote controller cannot be transmitted.

Installation of the transmitter board

(See figure 2)

- 1 Lid of the control box
- 2 Transmitter board
- 3 Shorter wire harness
- 4 Longer wire harness
- 5 Clamp
- 6 Control box
- 7 Plastic pin

- 1 Cut off the power supply.
- 2 Remove the lid of the control box as described in the installation manual supplied with the indoor unit.
- 3 Attach four plastic pins (7) to the transmitter board (2) and install it in the control box (6).
- 4 Connect the shorter wire harness from the X2A connector on transmitter board (2) to X24A connector on the printed circuit board in the control box of indoor unit. Lay down the shorter wireharness as shown in the figure 2.
- 5 When the receiver is installed bring the longer cable to the switch box of indoor unit and connect it to X1A connector on the transmitter board.
- 6 Clamp the cables together by a tie wrap.

Installation of the decoration panel

Install the decoration panel as described in the Installation Manual supplied with the decoration panel.

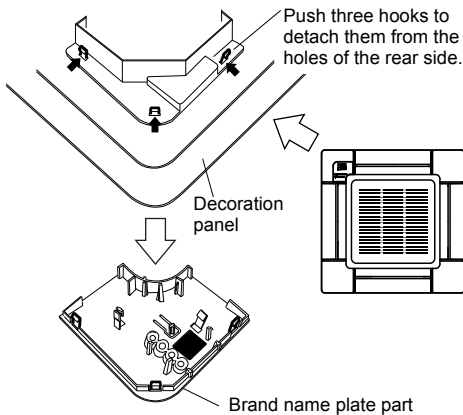
NOTE Make sure that the wire harness (longer one) from the transmission is not caught between the indoor unit and the decoration panel, and between the ceiling and the decoration panel.

The installation process of the receiver depends on used decoration panel.

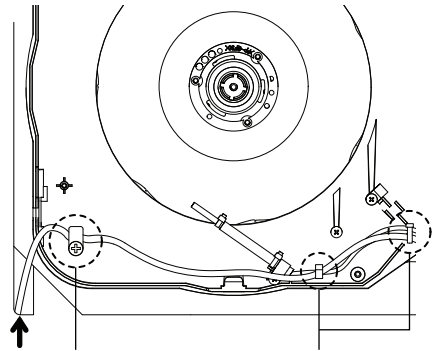
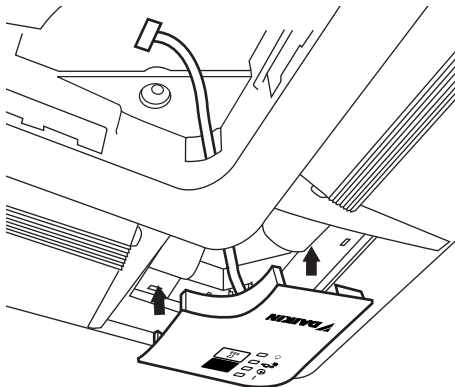
Installation of the receiver in case of BRC7EB530W

1 Preparations before installation

- 1 Detach the brand name plate part of the decoration panel piece, before attaching the decoration panel. This part is not needed hereafter.
- 2 Next, remove the suction grille and the air filter according to the instructions in the installation manual attached to the decoration panel.
- 3 Remove the control box lid according to the instructions in the installation manual attached to the indoor unit. (Be sure to turn off power, before removing the control box lid.)



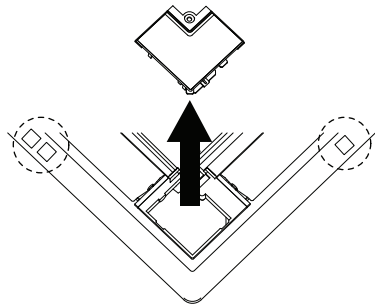
Pass the wire harness from the receiver through the wiring hole of the decoration panel. Then attach the receiver to the decoration panel. Lead the cable to the switchbox on the indoor unit and connect it to X1A connector on the transmitter board.



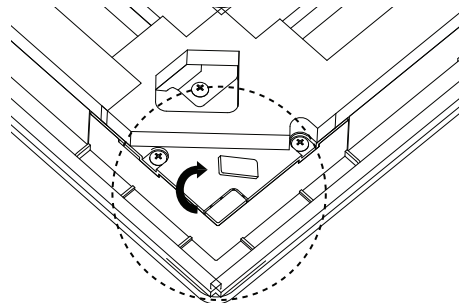
Remove the screw and input the plastic hook. Then screw it back. The wire harness goes through the plastic hook.

Clamp the wire harness from the receiver to other cables with tie wrap.

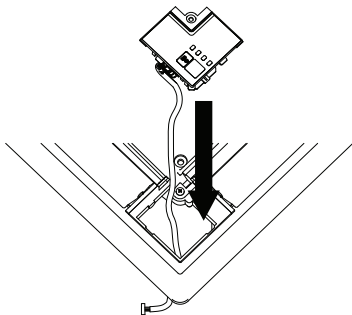
Installation of the receiver in case of BRC7F530S/W



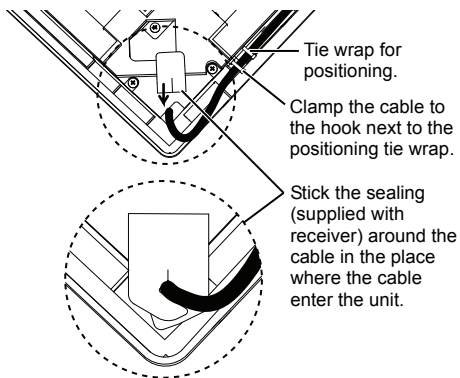
Remove the suction grille as described in manual supplied with the decoration panel. The corner where the wireless kit belongs is set by the two square marks. Then remove the plastic corner cover.



Break off the plastic cover from back side of the panel.



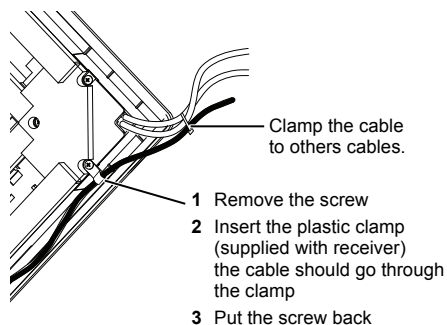
Pass the cable through the hole and insert the cover into its position and screw it.



Tie wrap for positioning.

Clamp the cable to the hook next to the positioning tie wrap.

Stick the sealing (supplied with receiver) around the cable in the place where the cable enter the unit.



Clamp the cable to others cables.

- 1 Remove the screw
- 2 Insert the plastic clamp (supplied with receiver) the cable should go through the clamp
- 3 Put the screw back

Field setting

If optional accessories are mounted on the indoor unit, the indoor unit setting may have to be changed. Refer to the instruction manual (option handbook) for each optional accessory.

(See figure 4)

- A Mode No.
- B Field Set mode
- C First code No.
- D Second code No.

Procedure

- 1 When in normal mode, hold down the /TEST button for at least 4 seconds to enter the Field Set mode.
- 2 Select the desired Mode No. with the MODE button.
- 3 Press the button and select the First code No.
- 4 Press the button and select the Second code No.
- 5 Press the RESERVE button to confirm the settings.
- 6 Hold down the /TEST button for at least 1 second to quit the Field Set mode and to return to normal display again.

Example




If the time to clean air filter is set to "Filter Contamination-Heavy", set Mode No. to "i0", First code No. to "0", and Second code No. to "02".

Mode No.	First code No.	Description of setting	Second code No. ¹					
			01		02		03	
i0	0	Filter contamination - Heavy/Light = Setting to define time between 2 filter cleaning display indications. (When contamination is high, setting can be changed to half the time between 2 filter cleaning display indications.)	Long-life filter	Light	±2,500 hrs.	Heavy	±1,250 hrs.	—
	3	Setting for display of time between 2 filter cleaning display indications.		Display		Do not display		—
i2 ²	1	ON/OFF input from outside = Setting when forced ON/OFF is to be operated from outside.		Forced OFF		ON/OFF		—
	2	Thermostat differential changeover = Setting when remote sensor is used.		1°C		0.5°C		—
i3	0	Setting air outlet velocity. This setting is to be changed in function of ceiling height.		≥2.7m		>2.7≥3.0m		>3.0≥3.5m
	1	Selection of air flow direction. This setting is to be changed when blocking pad optional kit is used.		4-way flow		3-way flow		2-way flow
	4	Airflow direction range setting. This setting is to be changed when range of swing flap movement needs to be changed.		Upper		Medium		Lower

- 1 **NOTE** Factory settings of the Second code No. are marked in grey backgrounds.
Do not use any settings not listed in the table.
For group control with a wireless remote controller, initial settings for all the indoor units of the group are equal.
(For group control, refer to the installation manual supplied with the indoor unit for group control.)
- 2 For VRV system.

Test operation

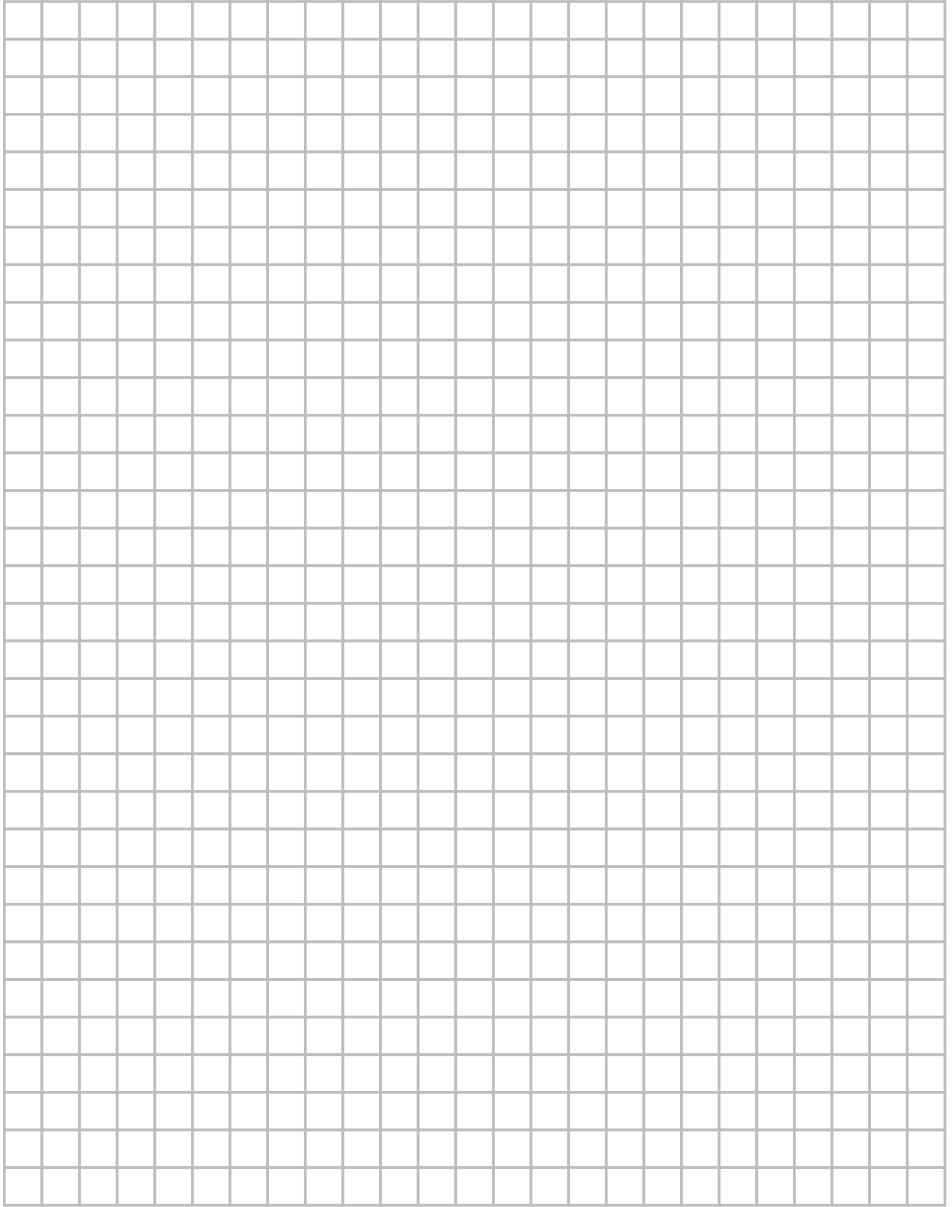
- Perform the test operation according to the instructions in the installation manual supplied with the indoor unit.
- After finishing installation of refrigerant piping, drain piping and electric wiring, operate as follows to protect the unit:

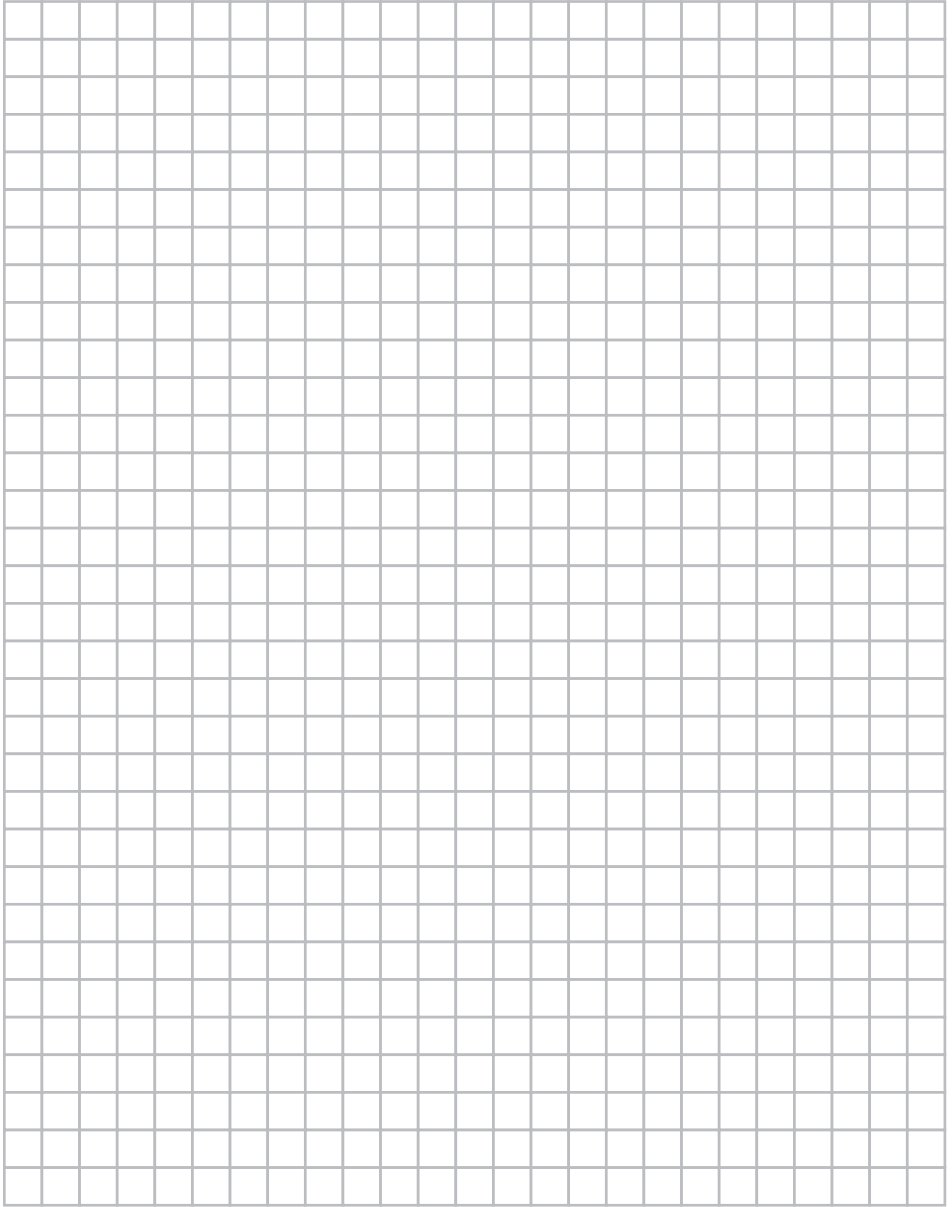
- 1 Open the gas side stop valve.
- 2 Open the liquid side stop valve.
- 3 Electrify the crankcase heater for 6 hours.
- 4 Set to cooling with the remote controller and push the ON/OFF button to start operation.
- 5 Push the /TEST button twice and operate in TEST OPERATION mode for 3 minutes.
- 6 Push the  SWING button and confirm its operation.
- 7 Push the /TEST button and operate normally.
- 8 Confirm proper functioning according to operation procedures in the operation manual.

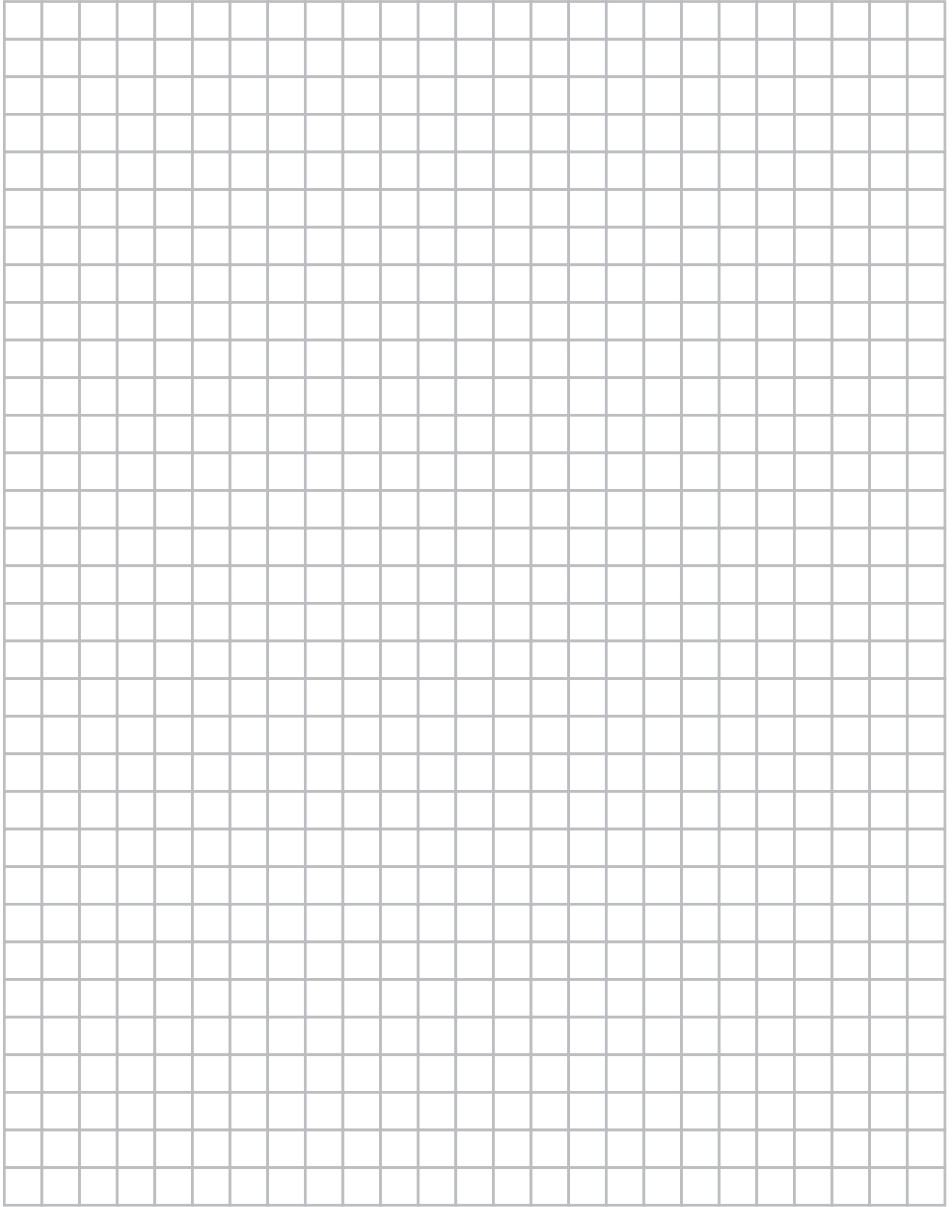
NOTE



- If the unit does not operate, refer to malfunction code described in the installation manual supplied with the indoor unit.
- Refer to the installation manual supplied with the outdoor unit for individual operation system types.







DAIKIN INDUSTRIES CZECH REPUBLIC s.r.o.

U Nové Hospody 1/1155, 301 00 Plzeň Skvrňany, Czech Republic

DAIKIN EUROPE N.V.

Zandvoordestraat 300, B-8400 Oostende, Belgium

Copyright 2013 Daikin

4P343087-1B 2013.05