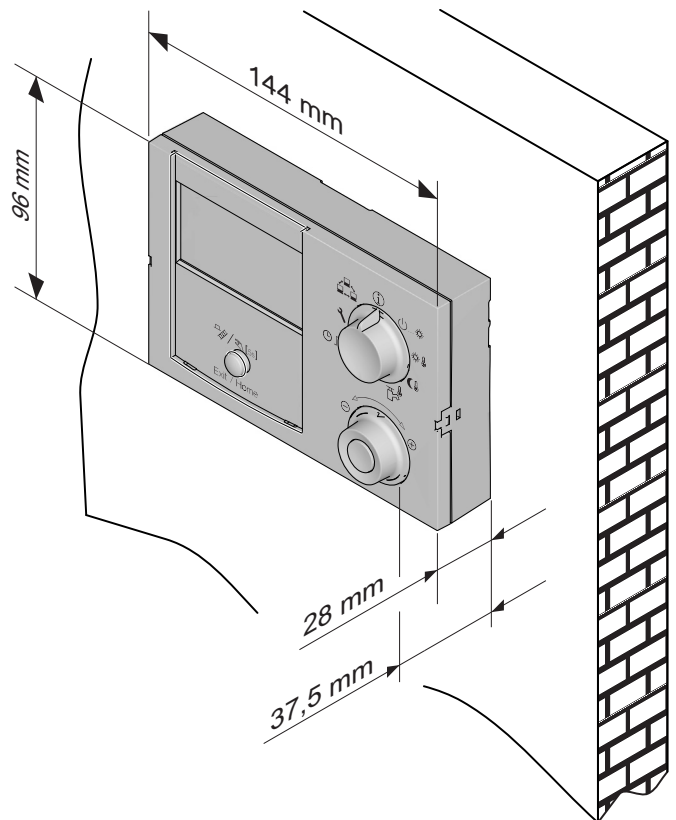
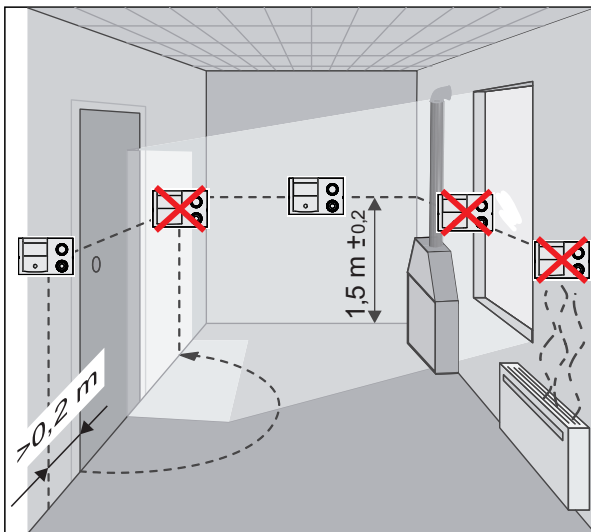
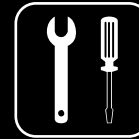




RoCon U1  EHS157034



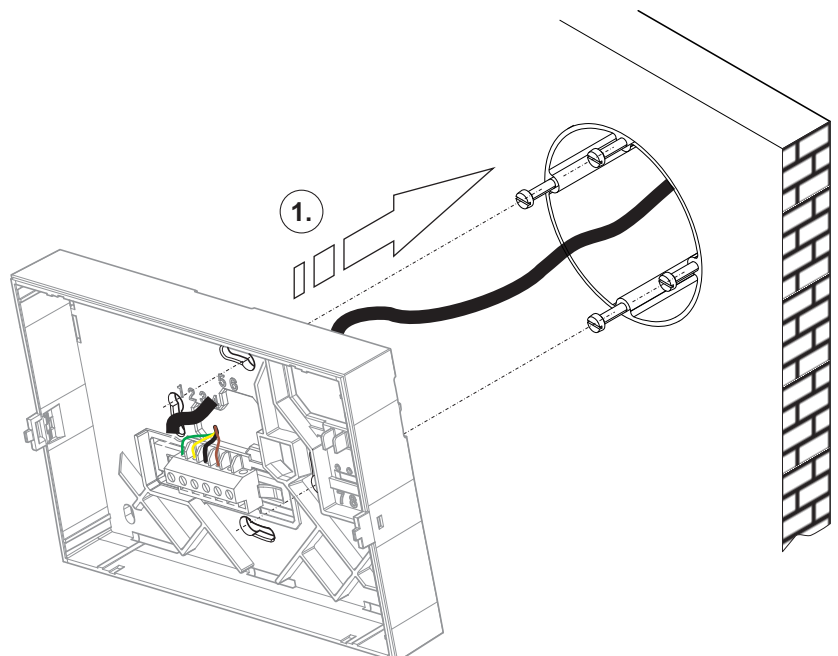
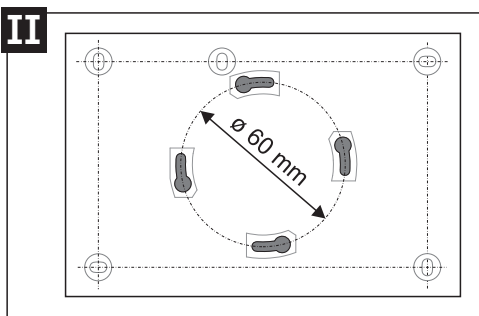
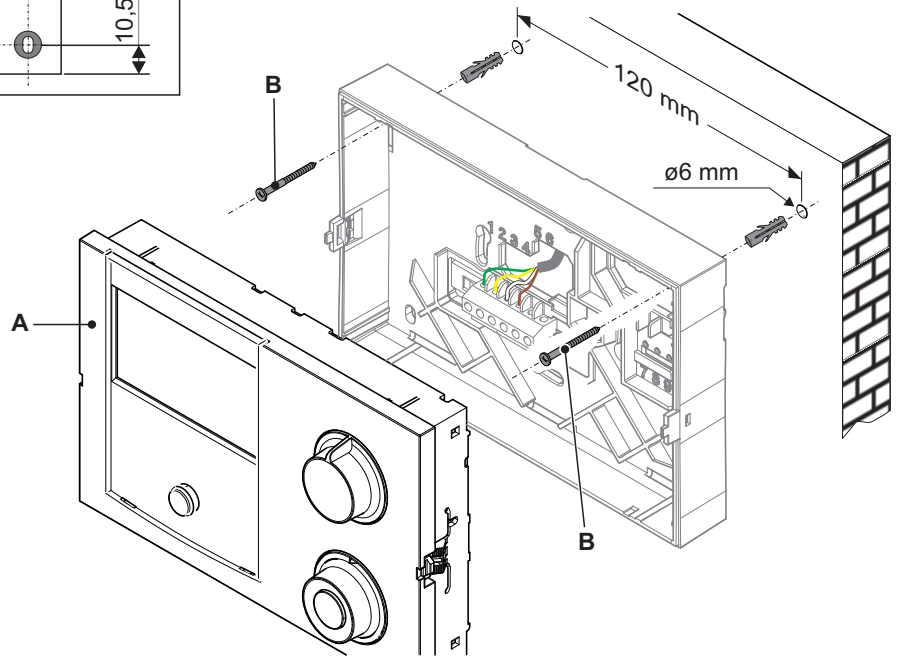
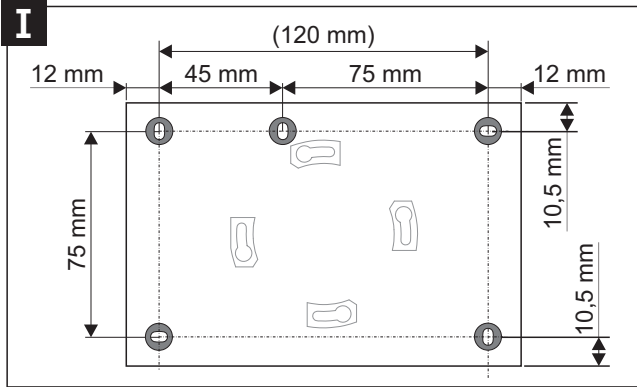
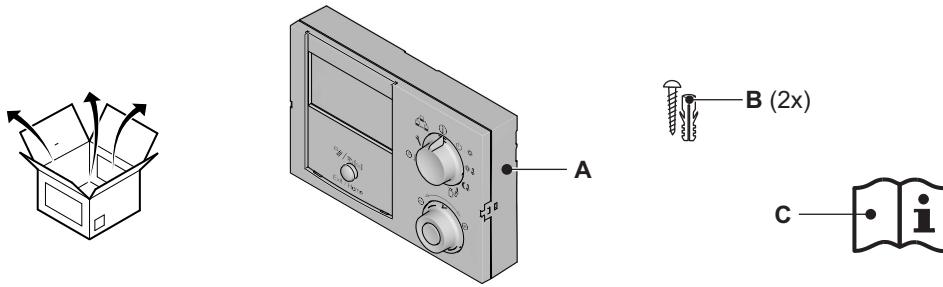
Energy labelling Regulation: (EU) 811/2013

Ecodesign Regulation: (EU) 813/2013

Product fiche

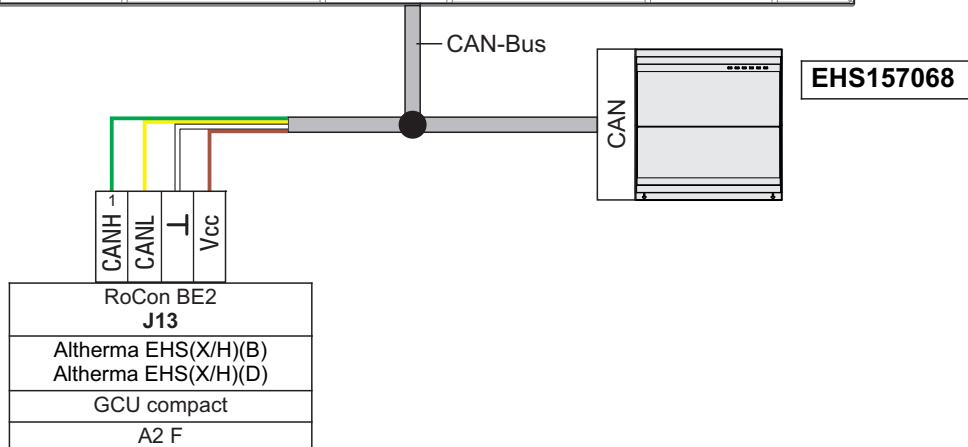
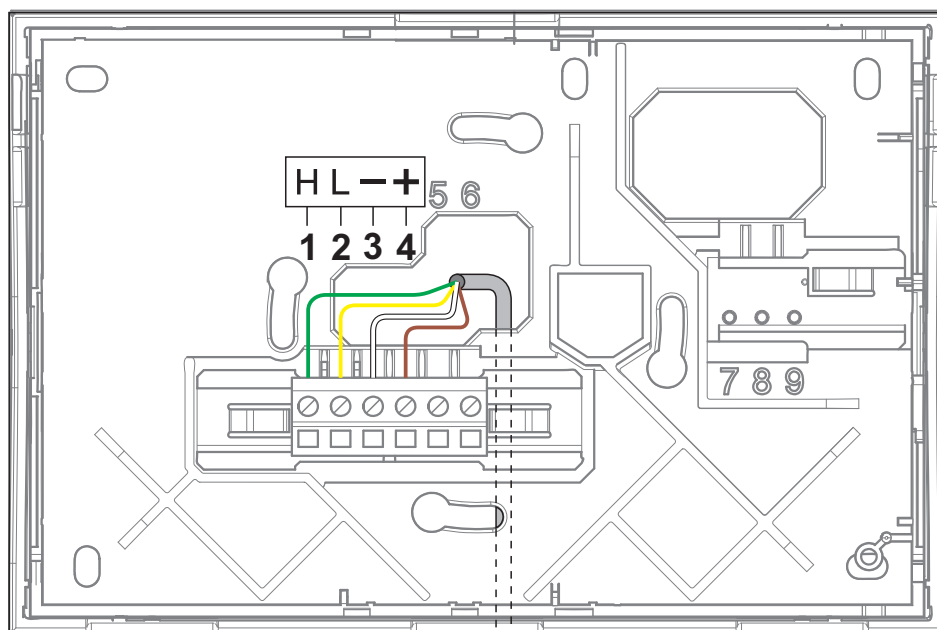
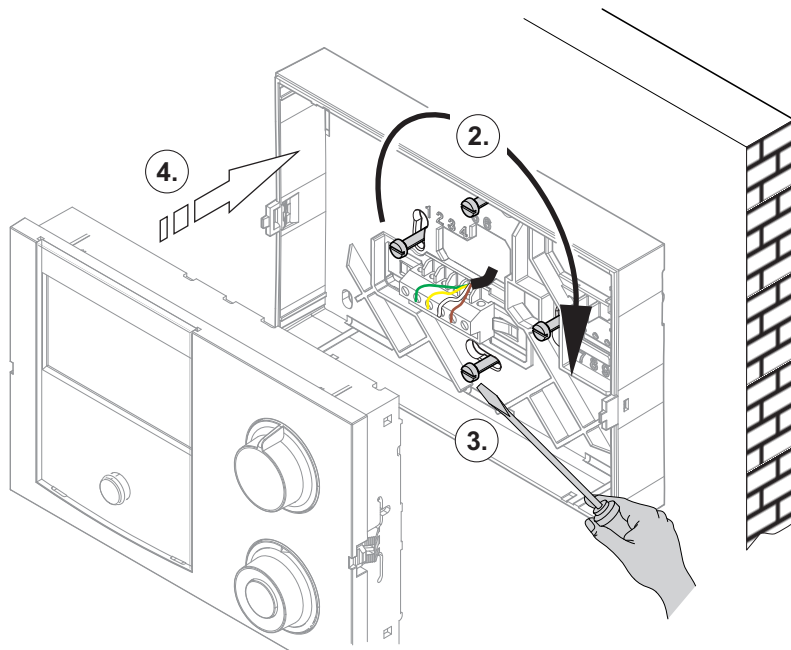
Controller + Heater (+ Combination Heater)		EHS157034
class of temperature control	-	VI
contribution to seasonal space heating efficiency	[%]	4,0

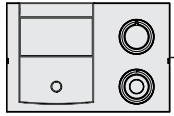
Details and precautions on installation, maintenance and assembly can be found in the installation and or operation manuals. Energy labels and product fiches for additional combinations, packages and other products can be found on "energylabel.daikin.eu".
 This data is for comparison of Energy efficiencies according to Energy label directive 2010/30/EC, for correct selection of products for your application, contact your dealer. Depending on your application and the product selected an additional supplementary heater may have to be installed.



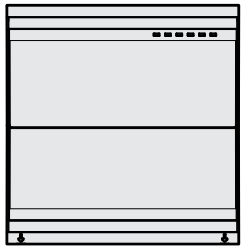


II

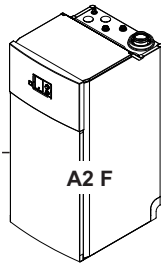
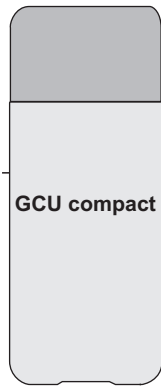
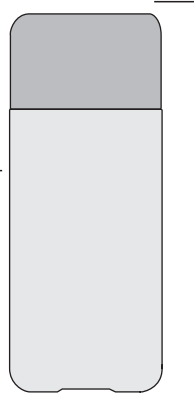




EHS157034



EHS157068



Altherma EHS(X/H)(B)
Altherma EHS(X/H)(D)

FA RoCon HP V5.2 / 04/2017



GCU compact
A2 F

FA RoCon BF



www.daikin-heiztechnik.de